

***AGROSAL d.o.o.***



**LOMBARDINI**  
A KOHLERCOMPANY

**7LD**

***AGROSAL d.o.o.***

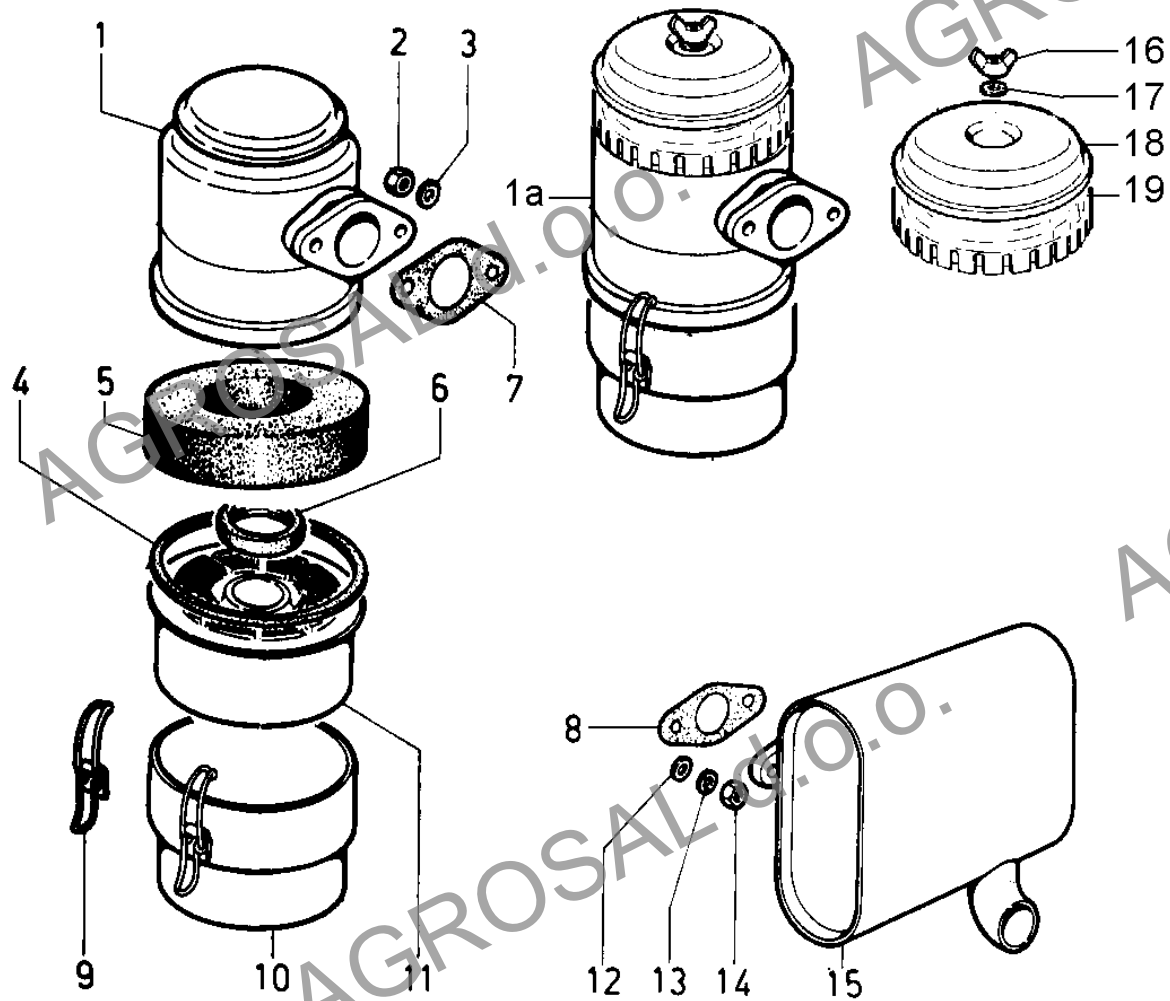
Gregorčičeva ulica 38, 5270 Ajdovščina  
telefon: 05 368 90 96, fax: 05 368 90 97  
e-mail: [info@agrosal.si](mailto:info@agrosal.si), [www.agrosal.si](http://www.agrosal.si)

**INTAKE AND EXHAUST**

POS.	CODE	DESCRIPTION	Qty
1	3700.139	AIR CLEANER	1
1a	3700.140	AIR CLEANER	1
2	3240.037	nut	2
3	7555.008	washer diam.10	2
4	4776.032	gasket h= 7 diam. 154	1
5	5496.110	upper filter.element	1
6	1261.073	seal ring diam. 62,5	1
7	4501.003	gasket	2
8	4500.097	gasket	2
9	4115.048	hook	2
10	«-----»	see Pos. 1	0
11	5496.111	filtering element h.87 diam.138	1
12	7625.019	washer diam.10	2
13	7565.011	washer diam.10	2
14	3240.053	nut	2
15	5462.013	eXhaust muffler	1
16	3200.002	wing nut M 6	1
17	4775.137	gasket	1
18	2125.056	prefilter cap	1
19	1301.069	cyclonic prefilter (Ø 138)	1

**A**

**7LD**



**LOMBARDINI**

Group: 7LD

A KOHLER COMPANY

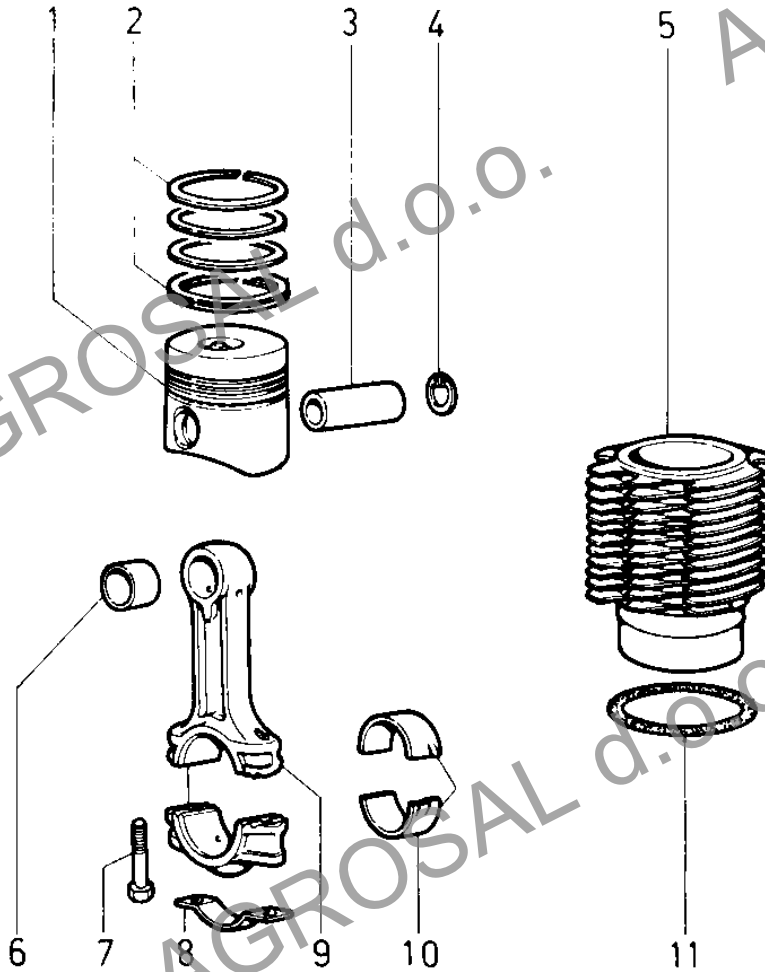
Engine: 7LD 600 Drawing: B

**CONNECTING ROD/PISTON SET/CYLINDER**

POS.	CODE	DESCRIPTION	Qty
1	<----->	PISTON SET +0,50 - no longer avail.	0
1	6502.048	PISTON SET std.	1
2	8210.083	ring set std.	1
2	8210.084	ring set +0,50	1
2	8210.085	ring set +1,00	1
3	8480.026	gudgeon pin	1
4	1240.026	snap ring	2
5	2381.071	cylinder	1
6	1630.012	small end bearing	1
7	1780.135	bolt M 10 X 1,5 X 50	2
8	<----->	plate	0
9	1526.020	CONNECTING ROD	1
10	1640.040	big end bushing std.	1
10	1640.052	big end bushing -0,25	1
10	1640.053	big end bushing -0,50	1
11	4410.053	gasket	1

**B**

**7LD**



**LOMBARDINI**

Group: 7LD

A KOHLER COMPANY

Engine: 7LD 600 Drawing: I

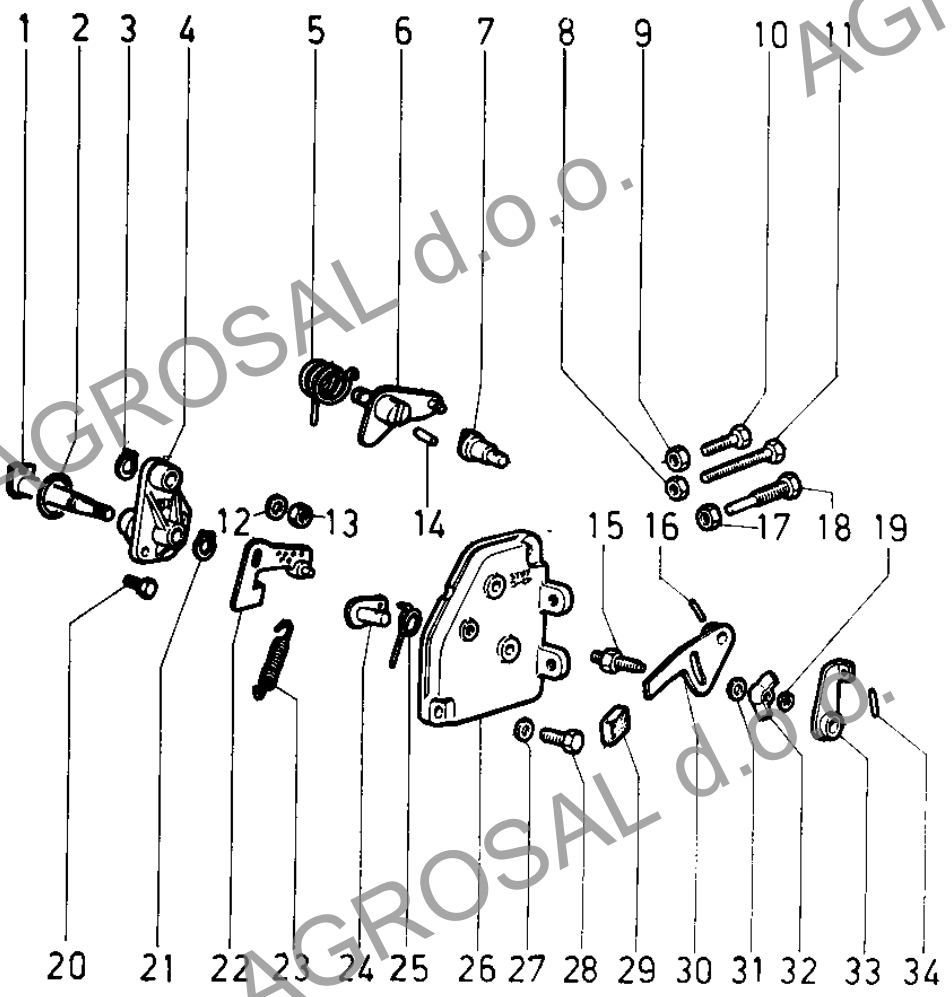
**CONTROLS**

POS.	CODE	DESCRIPTION	Qty
1	<----->	shaft - see Pos. I 4	0
2	1200.082	O ring 3106	1
3	1240.004	circlip diam. 10	1
4	8785.073	CONTROL LEVER SUPPORT	1
5	5680.062	spring	1
6	<----->	pin - see pos. I 4	0
8	3240.008	nut M 6	1
10	1760.027	bolt M 6 X 1 X 40	1
11	1760.083	bolt M 6 X 1 X 55	1
12	6330.069	safety plate	1
13	3240.018	nut M 8	1
14	7770.072	roller	1
15	2501.021	hollowstud	1
16	8430.023	lockpin 3 X 16	1
17	3240.058	nut	1
18	8576.025	EXTRA FUEL DEVICE	1
19	1165.001	circlip	1
20	1760.005	bolt M 6 X 1 X 16	2
21	1240.004	circlip diam. 10	1
22	<----->	lever - see Pos. I 4	0
23	5655.036	governor spring	1
24	<----->	see Pos. 26	0
25	5660.026	spring	1
26	2691.037	CONTROL COVER	1
27	7565.007	washer diam. 8	2
28	1770.056	bolt M 8 X 1,25 X 18	2
29	<----->	knob - see Pos. I 26	0
31	7625.007	washer diam. 6	1
32	3200.015	wing nut	1
33	<----->	see Pos. 26	0
34	8430.023	lockpin 3 X 16	1

AGROSAL d.o.o.

AGROSAL d.o.o.

**7LD**



d.o.o.

OSAL d.o.o.

AGROSAL

AGROSAL d.o.o.

AGF

OSAL d.o.o.

d.o.o.

**LOMBARDINI**

Group: 7LD

A KOHLER COMPANY

Engine: 7LD 600 Drawing: G

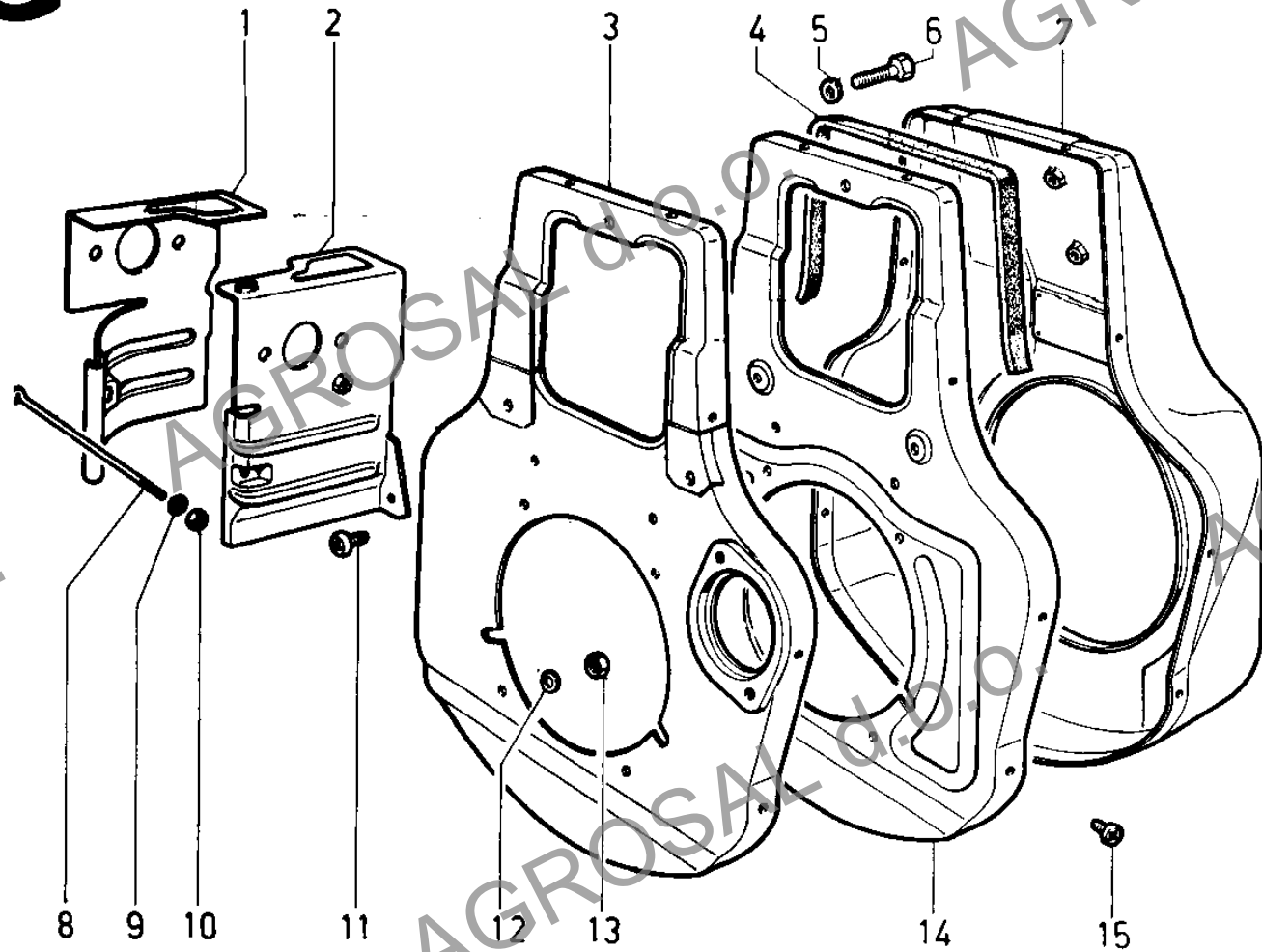
**COOLING SYSTEM**

POS.	CODE	DESCRIPTION	Qty
1	<----->	airtight plate	0
2	5066.033	airtight plate	1
3	<----->	el.start.plate	0
4	4570.010	gasket	1
5	7565.007	washer diam. 8	1
6	1770.002	bolt M 8 X 1,25 X 16	1
7	2569.034	shroud	1
7	2569.039	shroud for electr.start.	1
8	9245.082	screw stay	1
9	771R.001	washer diam. 5,3	2
10	3240.003	nut M 4	6
11	9865.122	screw M 6 X 12	2
12	7565.007	washer diam. 8	6
13	3240.018	nut M 8	6
14	6370.101	plate	1
15	9865.122	screw M 6 X 12	8



**G**

**7LD**

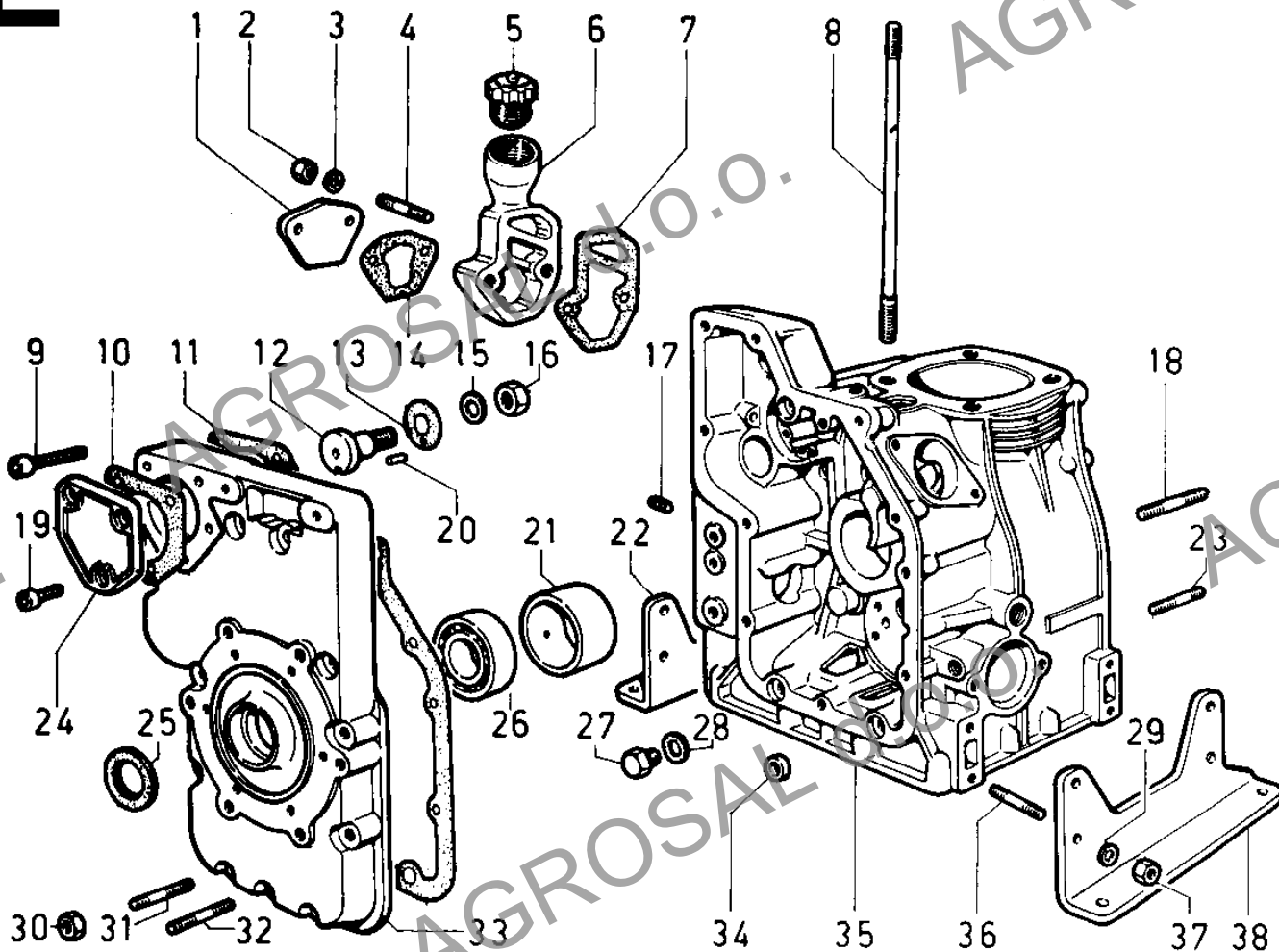


**CRANKCASE/GEAR COVER/MOUNTS/BREATHER**

POS.	CODE	DESCRIPTION	Qty
1	6700.012	plate	1
2	3240.164	nut M 8	2
3	4670.058	copper gasket diam. 8,2X12X1,5	2
4	6780.025	stud M 8 X 45 (57)	2
5	9050.050	breather cap	1
6	9580.047	breather tube	1
7	4580.046	gasket	1
8	6850.080	cylinder stud	4
9	9730.032	screw M 8 X 45	2
10	4431.037	gasket	1
11	4601.012	gasket 0,25	1
12	6075.006	pin	1
13	4560.016	gasket	1
14	4580.169	gasket 0,40	1
14	4580.170	gasket 0,80	1
15	7625.055	washer diam.12,5	1
16	3203.015	nut	1
17	9765.001	screw M 6 X 8	1
18	6780.076	stud M 8 X 18 (34)	7
19	9732.092	screw M 8 X 18	1
20	8430.036	locking needle	1
21	1611.027	bearing -0,50 (gear side)	1
21	1611.028	bearing -1,00 (gear side)	1
21	1611.029	bushing	1
21	1611.229	bearing -0,25 (flywheel side)	1
22	6428.027	engine mount	1
23	6780.045	stud M 8 X 12 (24)	6
24	2710.045	cover	1
25	1210.031	seal ring	1
26	3022.037	ball bearing	1
27	8965.003	plug M 10	1
28	4670.060	copper gasket diam.12	1
29	7565.011	washer diam.10	8
30	3240.164	nut M 8	11
31	6780.011	stud M 8 X 23 (38)	8
32	6780.064	stud M 8 X 30 (40)	3
33	6646.016	gear cover	1
34	1970.039	sleeve	3
35	«-----»	CRANKCASE	0
36	6800.053	stud M 10 X 18 (33)	8
37	3240.033	nut M 10	8
38	6428.026	engine mount	1

# E

# 7LD



**LOMBARDINI**

Group: 7LD

A KOHLER COMPANY

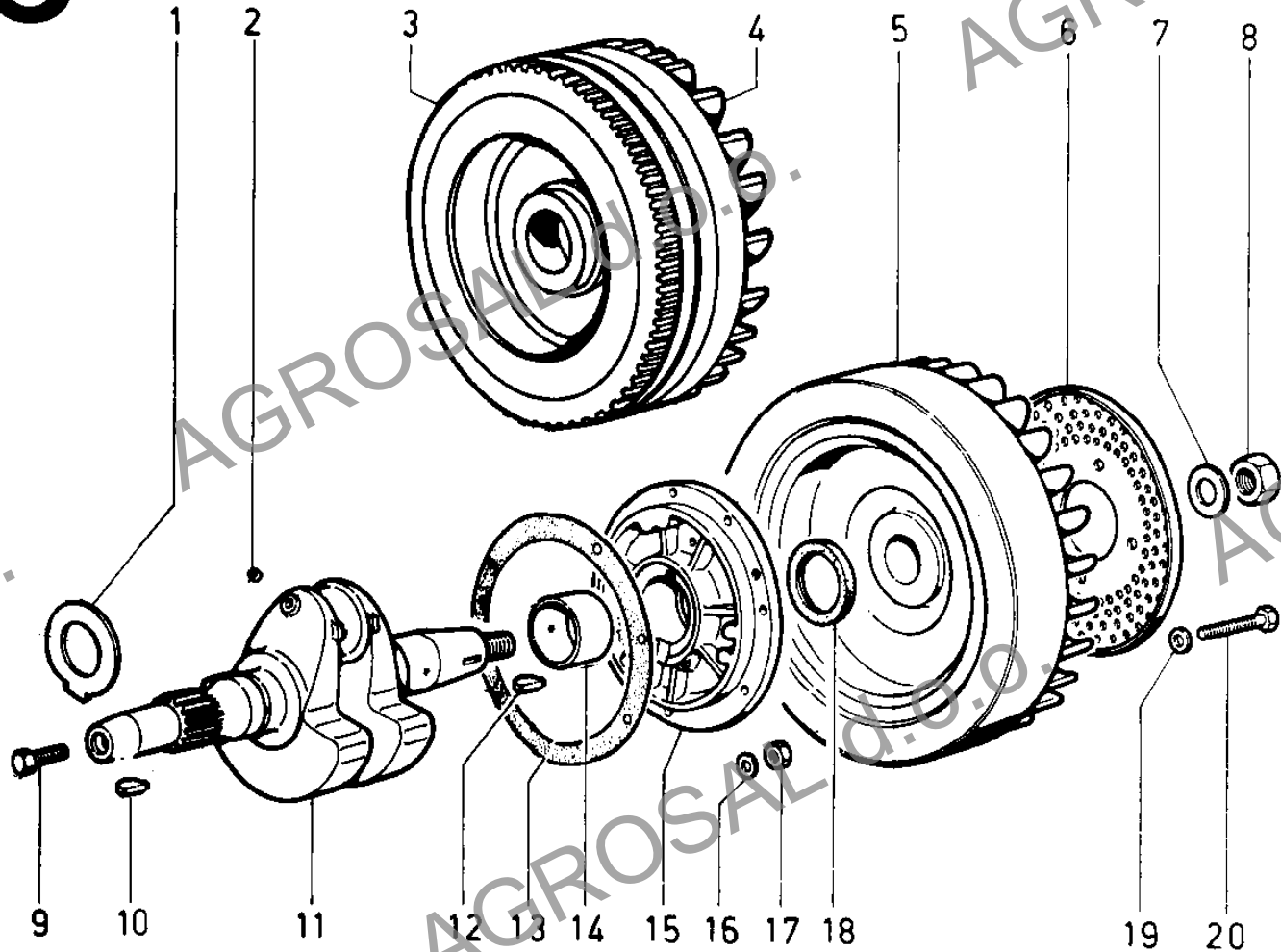
Engine: 7LD 600 Drawing: C

**CRANKSHAFT/FLYWHEEL SIDE CRANKSHAFT SUPPORT/FLYWHEEL**

POS.	CODE	DESCRIPTION	Qty
1	1257.013	thrust washer	2
2	9000.069	expansion plug	2
5	9882.017	flywheel std.	1
6	5096.026	panel	1
7	7625.037	washer diam.21	1
8	3260.056	nut	1
9	1862.012	bolt M14	1
10	<----->	key	0
11	1052.019	CRANKSHAFT	1
12	2280.056	crankshaft woodruff key	1
13	<----->	gasket 0,40 - no longer avail.	0
13	4700.098	gasket 0,30	1
14	1611.027	bearing -0,50 (flywheel side)	1
14	1611.028	bearing -1,00 (flywheel side)	1
14	1611.029	bushing	1
14	1611.229	bearing -0,25 (flywheel side)	1
15	8675.283	support	1
16	7626.048	connect.rod washer	7
17	3240.164	nut M 8	7
18	1212.006	seal ring	1
19	7565.011	washer diam.10	4
20	1780.010	bolt M 10 X 1,5 X 45	4

**C**

**7LD**



**LOMBARDINI**

Group: 7LD

A KOHLER COMPANY

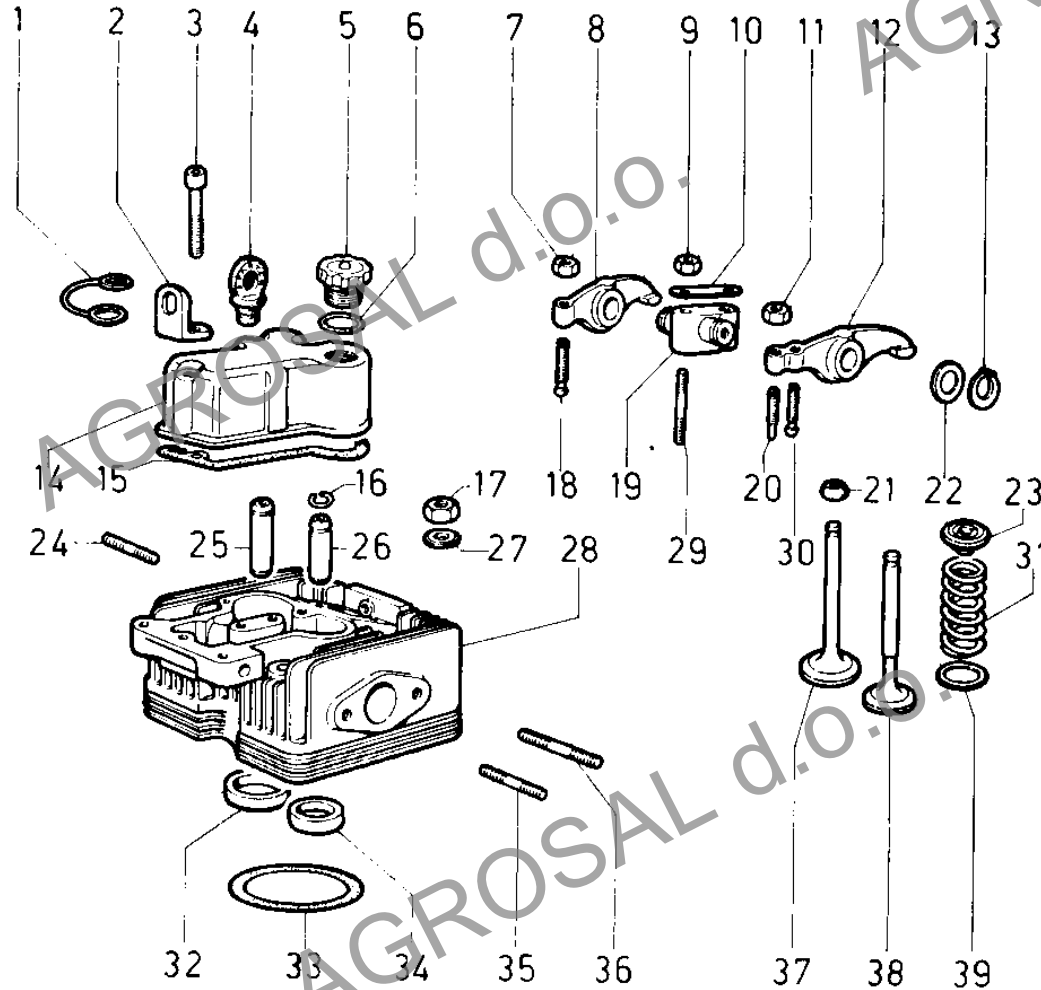
Engine: 7LD 600 Drawing: L

**CYLINDER HEAD/ROCKER ARM BOX/VALVES**

POS.	CODE	DESCRIPTION	Qty
1	3695.038	safety wire	1
2	8506.003	engine lifting eye	1
3	9731.040	screw M 8 X 60	2
4	9055.003	starter cap	1
5	9032.005	filler oil cap	1
6	<----->	ring - no longer avail.	0
7	3240.010	nut M 7	1
8	4330.040	ROCKER ARM ASS.Y	1
9	3240.018	nut M 8	2
10	<----->	safety plate	0
11	3240.010	nut M 7	2
12	<----->	see Pos. 8	0
13	1240.007	snap ring	2
14	2125.071	rocker arm cover	1
15	4400.019	gasket 0,50	1
16	1160.021	circlip	2
17	3240.125	nut	4
18	9850.002	rocker arm adjuster	1
19	8655.005	rocker arm support	1
20	9850.055	screw	1
21	2135.072	cap	1
22	7701.022	washer	4
23	6410.018	retainer with half-collets	2
24	6800.004	stud M 10 X 20 (35)	2
25	4845.170	inlet v.guide std.	1
25	4845.171	inlet v.guide +0,50	1
26	<----->	eXhaust v.guide +0,50	0
26	4845.248	eXhaust v.guide std.	1
27	7625.197	washer	4
28	9201.054	CYL.HEAD ASS.Y	1
28	9201.055	CYL.HEAD ASS.Y (for compression release)	1
29	6780.084	stud M 8 X 40 (52)	2
30	9850.002	rocker arm adjuster	1
31	5755.004	valve spring	2
32	8000.031	inlet v.seat	1
33	4730.022	head gasket 0,80	1
33	4730.058	head gasket 1,00	1
33	4730.059	head gasket 0,60	1
33	4730.072	head gasket 0,70	1
33	4730.073	head gasket 0,90	1
34	8000.057	eXhaust v.seat	1
35	6800.050	stud M 10 X 23 (38)	1
36	6800.056	stud M 10 X 28 (43)	1
37	9652.030	intake valve	1
38	9685.040	eXhaust valve	1
39	3430.067	spring seat (bottom)	2

**L**

**7LD**



**FUEL SYSTEM**

POS.	CODE	DESCRIPTION	Qty
1	9043.025	fuel tank cap	1
2	8101.087	fuel tank (l 7)	1
3	8635.097	vibration-damping	2
4	7565.007	washer diam. 8	2
5	8240.018	nut M 8	2
6	9732.074	screw M 8 X 20	2
7	9375.033	bleeding pipe	1
8	9790.037	screw M 6 X 8	1
9	6615.018	NOZZLE-HOLDER	1
9	6615.031	NOZZLE-HOLDER Bosch	1
10	3790.074	injector top plate	1
11	6760.045	stud M 6 X 65 (80)	2
12	3203.050	selflocking nut M 6	2
13	7301.006	connection	1
14	9374.044	high press.pipe	1
15	3617.016	clamp	1
16	8866.051	support	1
17	1901.029	union bolt M 8	1
18	4670.058	copper gasket diam. 8,2X12X1,5	1
20	6531.265	nozzle	1
21	«-----»	gasket	0
22	4670.058	copper gasket diam. 8,2X12X1,5	1
23	1901.029	union bolt M 8	1
24	5400.046	rubber sheathing	1
25	7565.007	washer diam. 8	1
26	9375.274	hose from gear side tank to inj.pump (mm 142)	1
27	4670.005	copper gasket 0,50	1
27	4670.006	copper gasket 1,00	1
28	1901.012	union bolt	1
29	4670.058	copper gasket diam. 8,2X12X1,5	1
30	4670.060	copper gasket diam.12	1
31	9730.100	screw M 8 X 25	2
32	7625.010	washer diam. 8	2
33	1770.042	bolt M 8 X 1,25 X 10	1
34	5575.006	spring	1
35	1200.268	rubber oil seal	1
36	3930.019	cup	1
37	1770.002	bolt M 8 X 1,25 X 16	2
38	7565.007	washer diam. 8	2
39	4670.060	copper gasket diam.12	1
40	6590.045	injection pump Bosch	1
41	4580.023	gasket 0,30	1
41	4580.024	gasket 0,50	1
41	4580.029	gasket 0,10	1
41	4580.057	gasket 0,05	1
42	7980.020	cup	1
43	1200.031	rubber oil seal	1
44	7265.008	connection	1
45	4430.071	gasket	1
46	4490.017	gasket	1
47	2175.009	fuel filter cartridge	1
47	3730.015	FUEL FILTER	1
48	3630.008	clamp	1



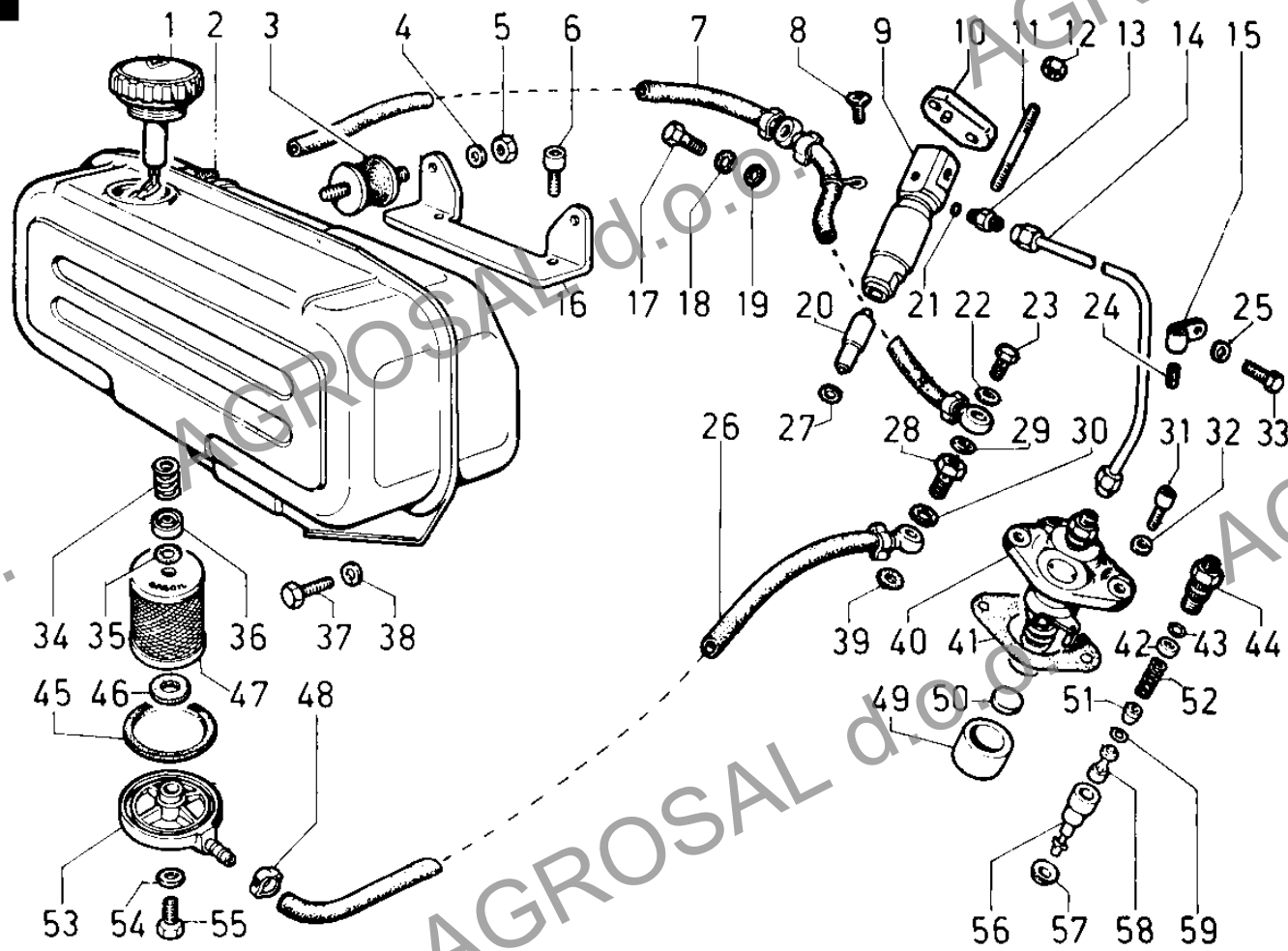
Group: 7LD  
Engine: 7LD 600 Drawing: F

FUEL SYSTEM

POS.	CODE	DESCRIPTION	Qty
49	7215.035	tappet	1
50	6000.036	tappet	1
51	7470.003	filler	1
52	5755.034	valve spring	1
53	2605.033	filter cover	1
54	1202.052	rubber oil seal	1
55	1760.162	bolt	1
56	«-----»	plunger Bosch	0
56	6578.018	Injection plunger	1
57	6400.059	cup Stanadyne	1
58	9672.012	delivery valve BOSCH	1
59	4760.015	valve gasket	1

**F**

**7LD**





**LOMBARDINI**

Group: 7LD

A KOHLER COMPANY

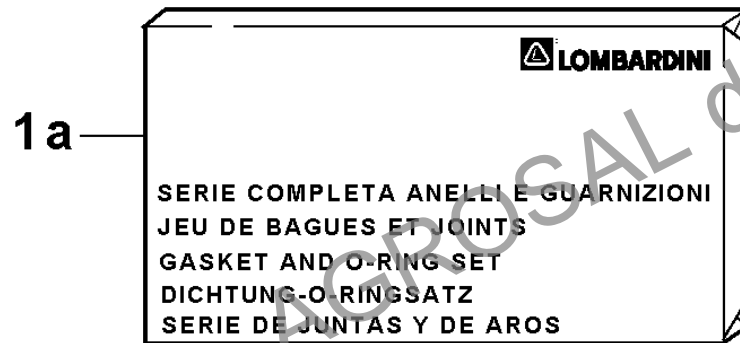
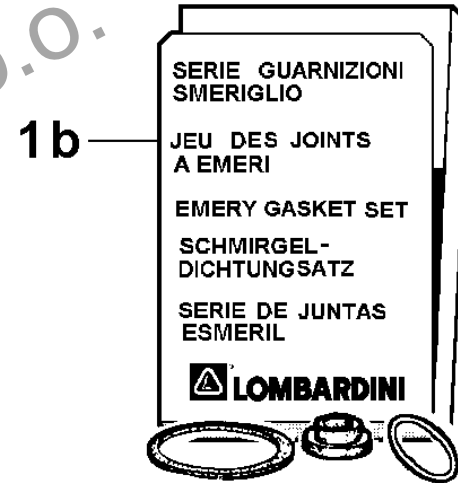
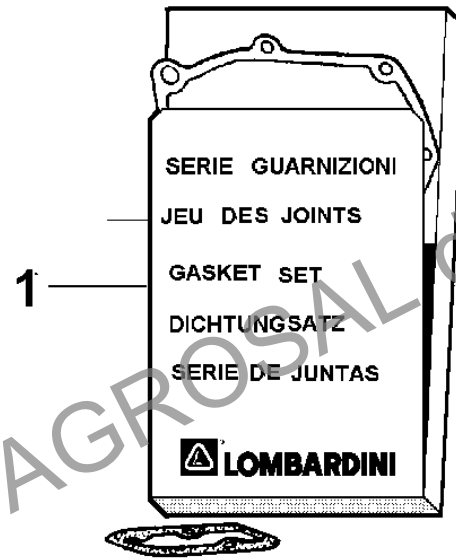
Engine: 7LD 600 Drawing: N

**GASKET/RING SET**

POS.	CODE	DESCRIPTION	Qty
1	«-----»	GASKET SET (see Pos. N 1a)	0
1a	8205_096	RING AND GASKET COMPLETE SET	1
1b	«-----»	EMERY GASKET SET (see Pos. N 1a)	0

**N**

**7LD**



**LOMBARDINI**

Group: 7LD

A KOHLER COMPANY

Engine: 7LD 600 Drawing: H

**LUBRICATING SYSTEM**

POS.	CODE	DESCRIPTION	Qty
1	4670.058	copper gasket diam. 8,2X12X1,5	1
2	1901.048	union bolt M 8	1
3	9485.042	lub.oil pipe	1
4	4670.058	copper gasket diam. 8,2X12X1,5	1
5	8630.037	clamp diam.24-36	1
6	<----->	spring - see Pos. H 42	0
7	5265.015	oil pump contr.lever	1
8	<----->	see Pos. 42	0
9	1970.101	sleeve	2
10	6231.032	lever pin	1
11	5204.004	INJECT.PUMP LEVER	1
13	1400.365	dipstick	1
14	4670.058	copper gasket diam. 8,2X12X1,5	1
15	1901.048	union bolt M 8	1
16	4670.058	copper gasket diam. 8,2X12X1,5	1
19	9730.008	screw M 6 X 10	1
20	7565.004	washer diam. 6	1
21	<----->	plate	0
22	2280.061	key 3X3,7X10	1
23	7565.004	washer diam. 6	1
24	9680.007	oil press.valve	1
25	5755.049	spring	1
26	4670.088	copper gasket 18X24X1	1
27	9070.012	pressure valve plug	1
28	1901.048	union bolt M 8	1
29	4670.058	copper gasket diam. 8,2X12X1,5	1
30	9790.037	screw M 6 X 8	1
31	3617.018	clamp	1
32	5401.011	rubber sheathing	2
33	4670.058	copper gasket diam. 8,2X12X1,5	1
34	4601.011	gasket	1
35	9732.016	screw M 6 X 40	4
36	1760.005	bolt M 6 X 1 X 16	2
37	7565.004	washer diam. 6	2
39	4740.026	gasket	1
40	9320.060	suction oil tube	1
41	8300.042	bracket	1
42	4336.032	OIL PUMP ASS.Y (gen.set)	1
42	4896.362	OIL PUMP ASS.Y	1
43	1760.007	bolt M 6 X 1 X 25	1
44	2175.025	oil filter cartridge	1
45	5725.032	spring	1
46	1202.007	rubber oil seal	1
47	9485.041	lubr.oil pipe	1
48	4670.058	copper gasket diam. 8,2X12X1,5	1
49	1901.048	union bolt M 8	1
50	7525.010	washer diam. 8	12
51	1770.056	bolt M 8 X 1,25 X 18	12
52	6647.087	oil pan	1
53	4670.016	copper gasket diam.14	1
54	8965.005	oil drain plug M 14	1
55	7565.007	washer diam. 8	2
56	1770.006	bolt M 8 X 1,25 X 25	2

Group: 7LD

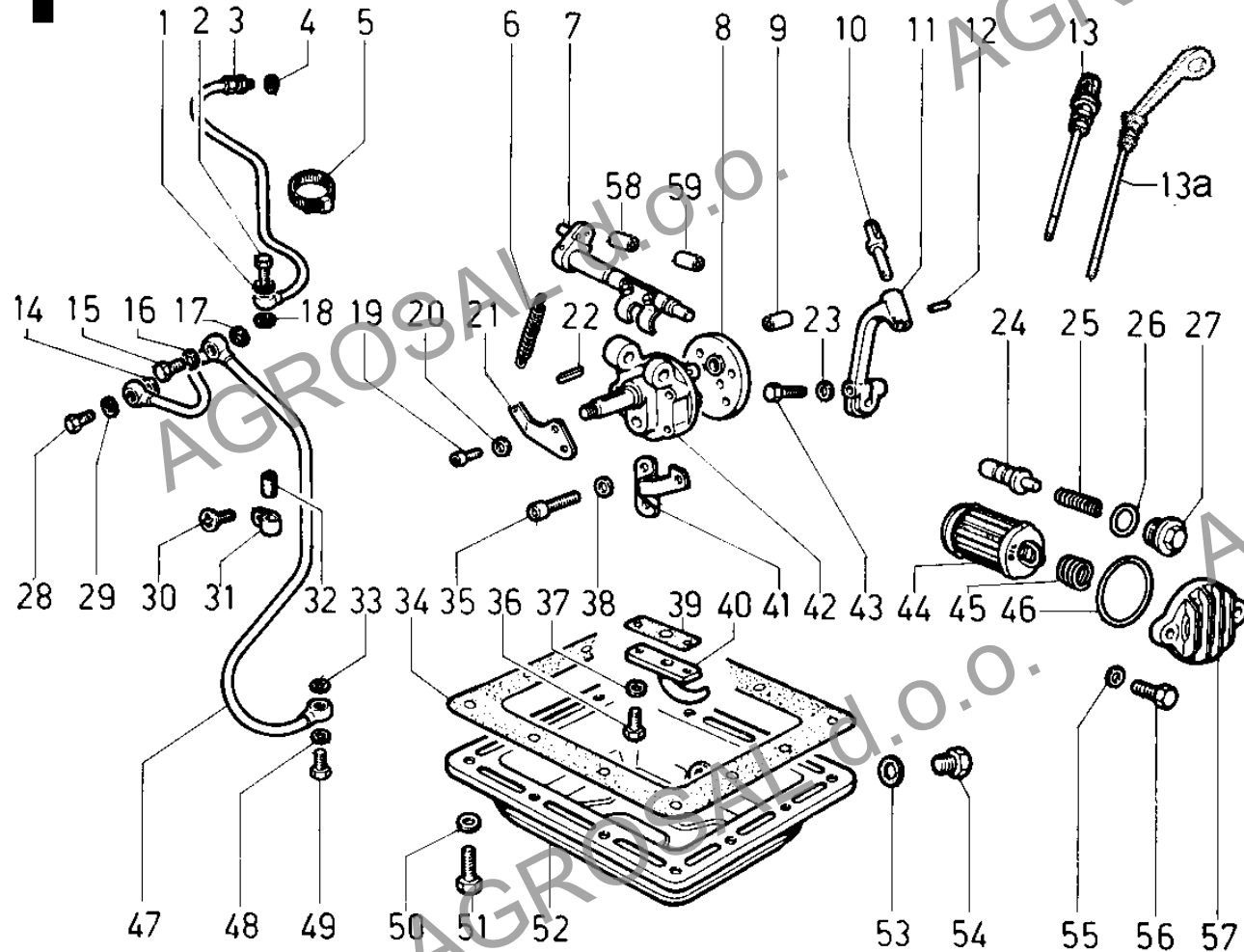
Engine: 7LD 600 Drawing: H

LUBRICATING SYSTEM

POS.	CODE	DESCRIPTION	Qty
57	2751.038	cover	1
58	←----->	bushing	0

# H

# 7LD





**LOMBARDINI**

Group: 7LD

A KOHLER COMPANY

Engine: 7LD 600 Drawing: Z

**SHORT BLOCK**

POS.	CODE	DESCRIPTION	Qty
1	←-----→	short block industrial version	0

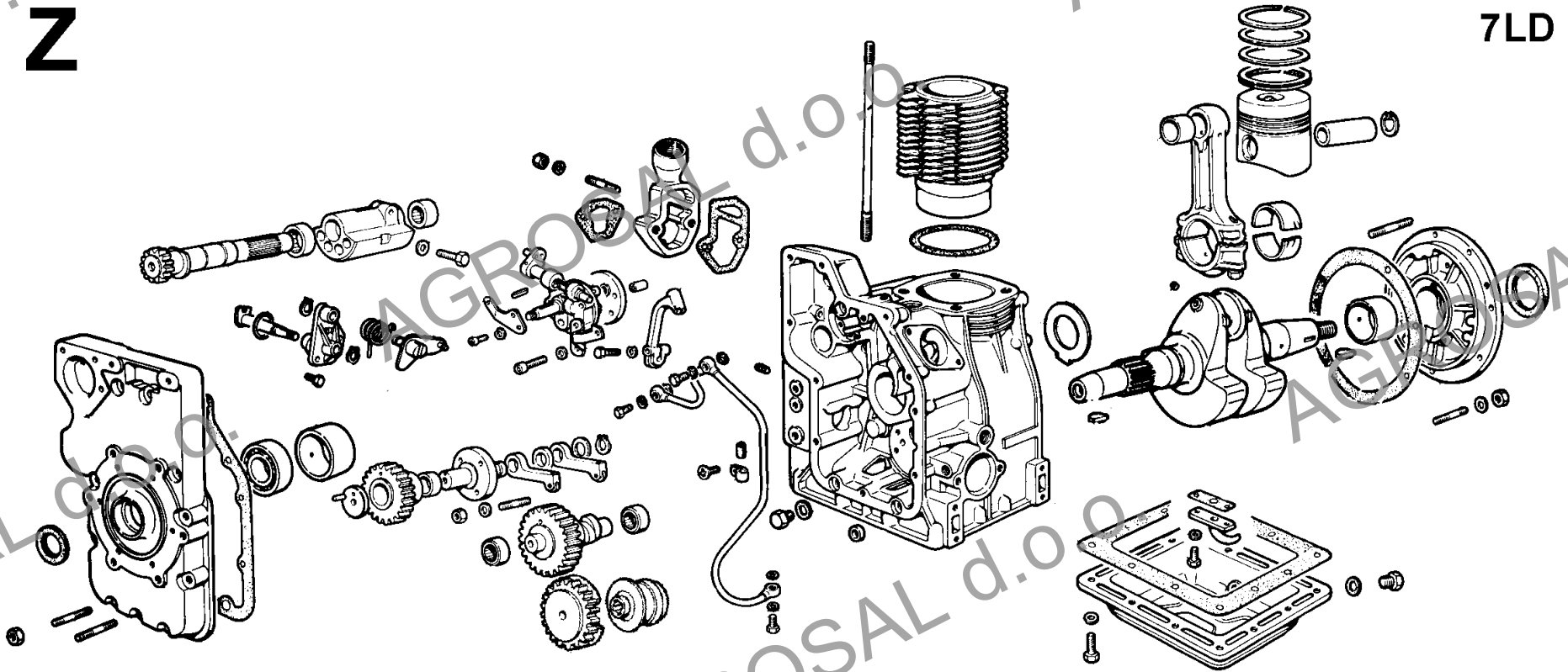


AGROSAL d.o.o.

AGROSAL d.o.o.

**Z**

7LD



d.o.o.

OSAL d.o.o.

AGROSAL d.o.o.

AGROSAL d.o.o.

**LOMBARDINI**

A KOHLER COMPANY

Group: 7LD

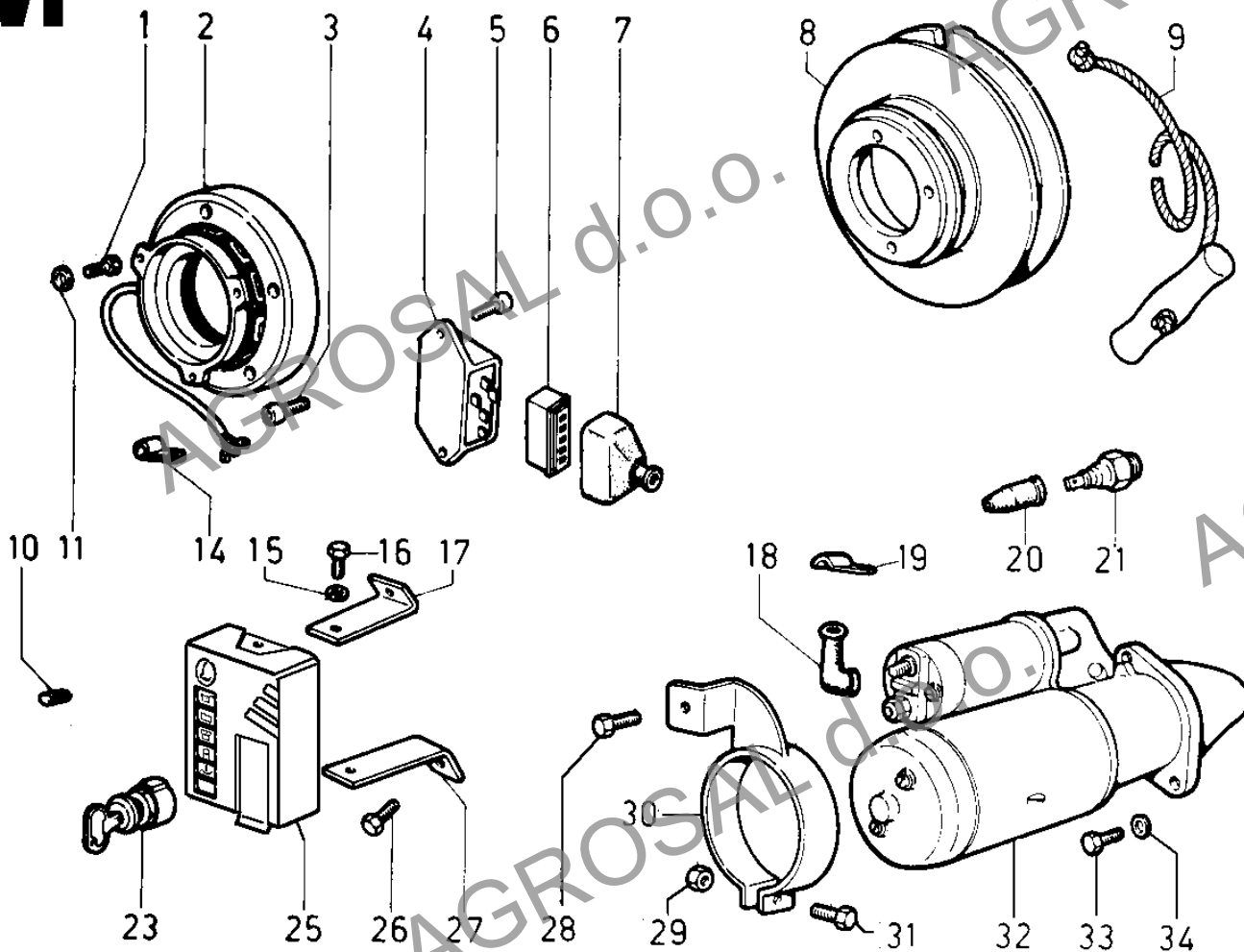
Engine: 7LD 600 Drawing: M

**STARTING**

POS.	CODE	DESCRIPTION	Qty
1	1760.001	bolt M 6 X 1 X 10	3
2	1157.153	volt.alternator 12V 12A - 3 wires	1
3	9730.015	screw M 6 X 30	5
4	7362.228	voltage regulator. 12V 14/26A-6 contacts for alternator 3 wires	1
5	9730.024	screw M 8 X 16	2
6	6740.153	inlet regul.Saprisa	1
6	6740.154	inlet regul.Ducati	1
7	2145.014	regulator cap	1
8	6961.021	starting pulley	1
9	4055.045	rope starting	1
10	5175.162	lamp 12V	2
11	7565.004	washer diam. 6	3
12	<----->	lampe-socket - no longer avail.	0
14	3617.015	clamp	1
15	7625.092	washer diam. 6,5	2
16	1760.032	bolt M 6 X 1 X 14	2
17	8505.085	angle bracket	1
18	6491.005	pipe elbow	1
19	3617.024	clamp	1
20	6491.013	pipe elbow	1
21	6745.050	oil switch 0,3 bar (M 12)	1
22	<----->	lampe-socket	0
23	5041.020	key switch	1
24	<----->	switch cover	0
25	2900.110	dashboard 2 lights	1
26	1760.003	bolt M 6 X 1 X 12	2
27	8505.086	angle bracket	1
28	<----->	bolt M 8 X 1,25 X 16	0
32	5840.175	starting motor Bosch	1
33	9730.324	bolt M 12 X 1,25 X 25	2
34	7555.014	washer	2

**M**

**7LD**



**LOMBARDINI**

Group: 7LD

A KOHLER COMPANY

Engine: 7LD 600 Drawing: D

**TIMING/SPEED GOVERNOR/DYNAMIC BALANCER**

POS.	CODE	DESCRIPTION	Qty
1	1770.006	bolt M 8 X 1,25 X 25	5
2	7565.007	washer diam. 8	5
3	2640.007	cover	1
4	4431.035	gasket	1
5	2537.023	counterweight	1
6	1585.043	bushing	1
7	1410.027	push rod	2
8	9520.030	guard tube	1
9	1055.024	counterweight shaft	1
10	3030.028	ball bearing DL 2820	1
11	7565.011	washer diam.10	1
12	1780.008	bolt M 10 X 1,5 X 40	1
13	6141.008	lever shaft	1
14	7701.022	washer	2
15	4740.017	gasket	2
16	1240.007	snap ring	1
17	3240.021	nut M 8	4
18	7565.007	washer diam. 8	4
19	6780.076	stud M 8 X 18 (34)	4
20	1585.053	bushing	1
21	5271.065	lever	1
22	7550.007	washer	1
23	5271.065	lever	1
24	8430.036	locking needle	1
25	6275.070	plate	1
26	4990.051	INTERMEDIATE GEAR	1
27	«-----»	bushing - no longer avail	0
28	1585.053	bushing	1
29	1010.071	camshaft	1
30	3240.066	nut M 10	1
31	7565.011	washer diam.10	1
32	«-----»	speed governor ass.y	0
33	8245.010	ball	3
34	«-----»	see Pos. 32	0
35	1160.011	circlip	1
36	4896.038	governor ass.y	1
37	4936.075	governor gear	1

**D**

**7LD**

