

AGROSAL d.o.o.



CRONO 87 B



AGROSAL d.o.o.

Gregorčičeva ulica 38, 5270 Ajdovščina
telefon: 05 368 90 96, fax: 05 368 90 97
e-mail: info@agrosal.si, www.agrosal.si

ALPINA

www.alpinagarden.com

> Illustrated Parts List

for:

> **CRONO 87 B**

- Use GLOBAL GARDEN PRODUCT genuine spare parts specified in the parts list for repair and/or replacement.
- The contents described in the parts list may change due to improvement.
- The drawings of the spare part are only indicative and might not represent the part in question exactly.
- The indications "right" - "left" - "front" - "rear" refer to the position of the operator when using the machine.
- When placing orders of parts for repair and/or replacement, make sure that the illustrated parts list is the one applying to the machine's year of manufacture, as shown on the identification plate attached to the machine.

© Copyright 2014 Global Garden Products

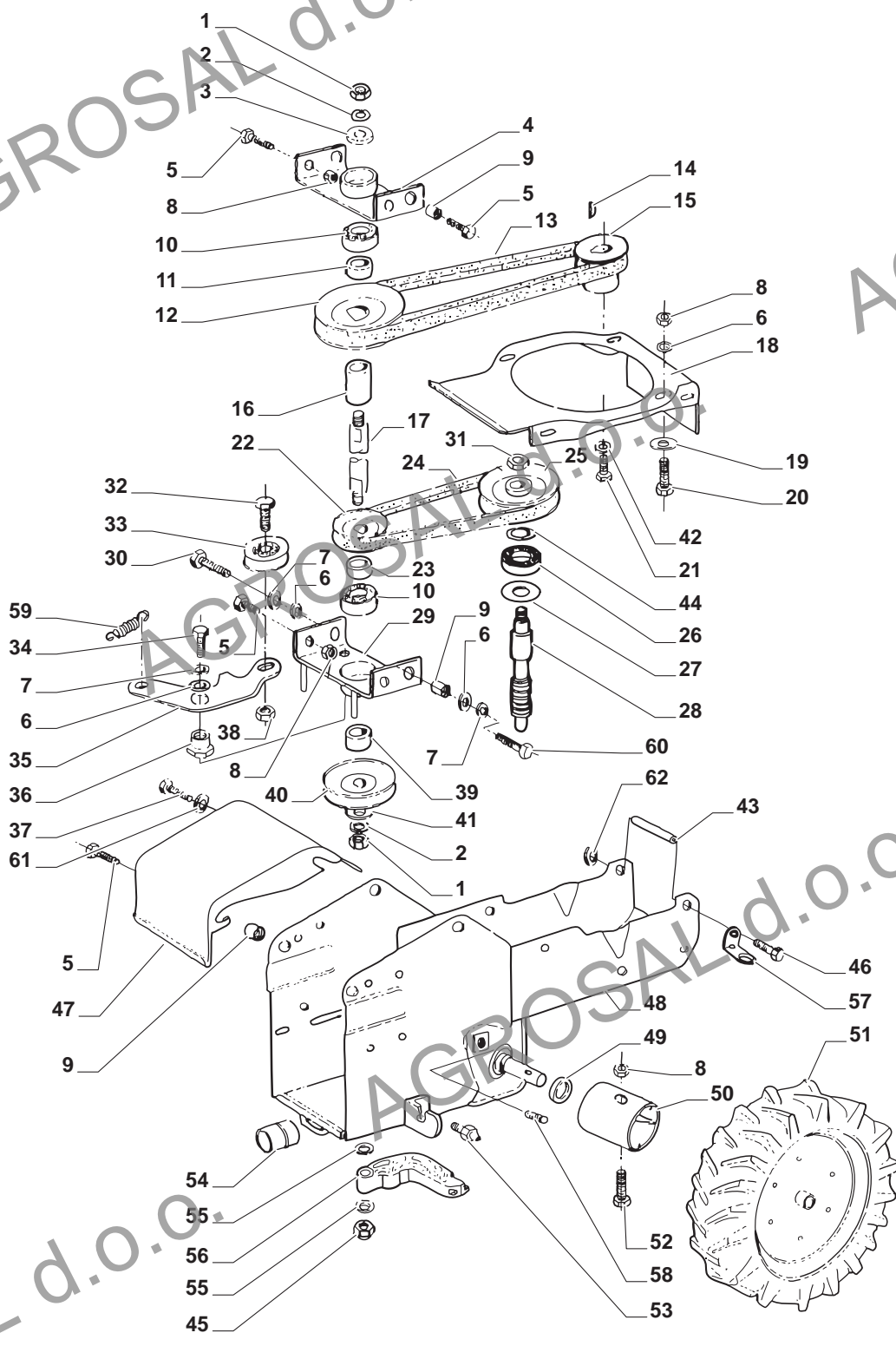
All content is subject to copyright by Global Garden Products and may not be reproduced in whole or in part by any means, electronic or otherwise, without prior written approval.

THIS INFORMATION IS NOT INTENDED FOR SALE OR RESALE, AND THIS NOTICE MUST REMAIN ON ALL COPIES.

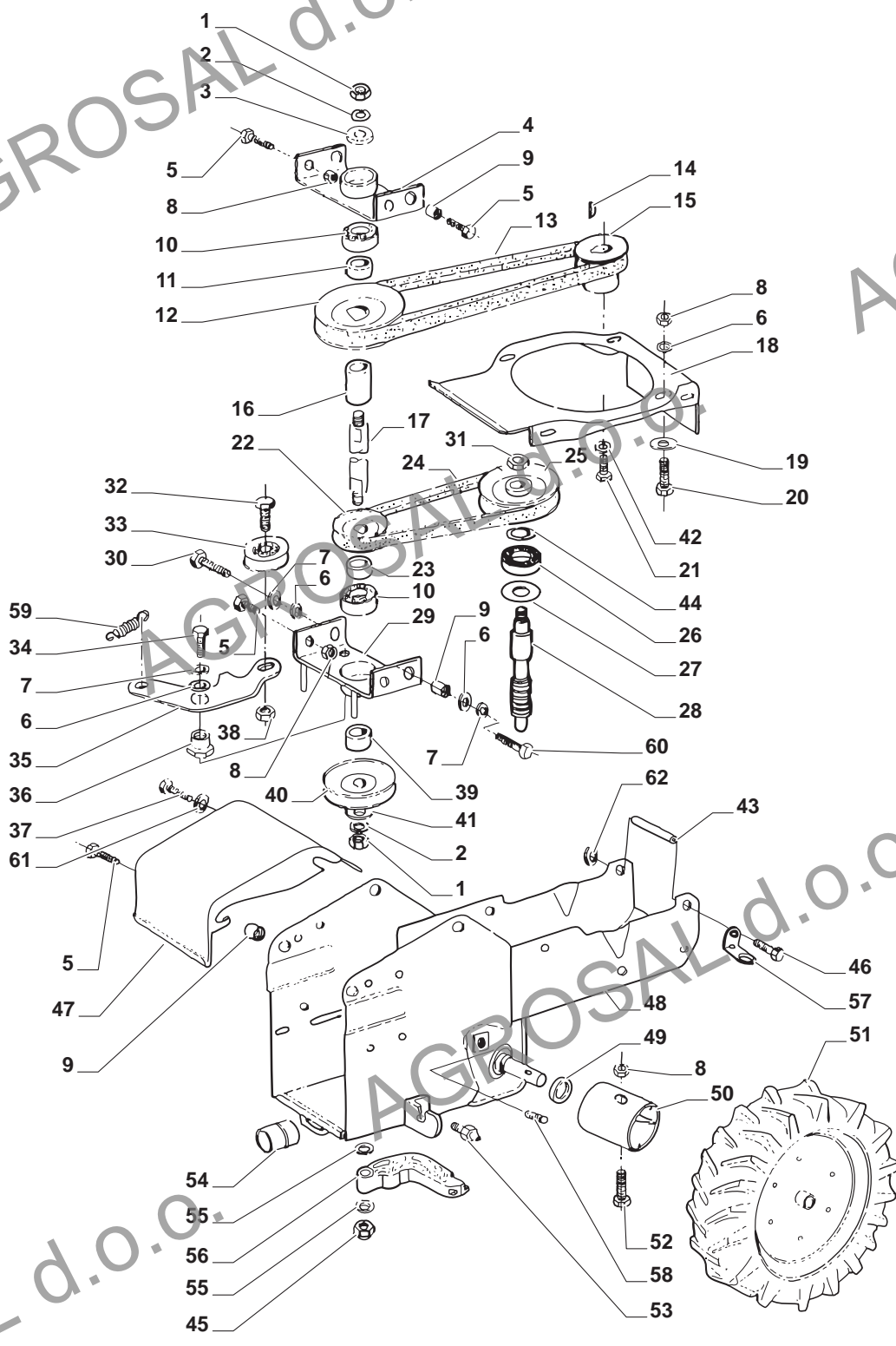
www.ggp-group.com



Engineered to amaze you



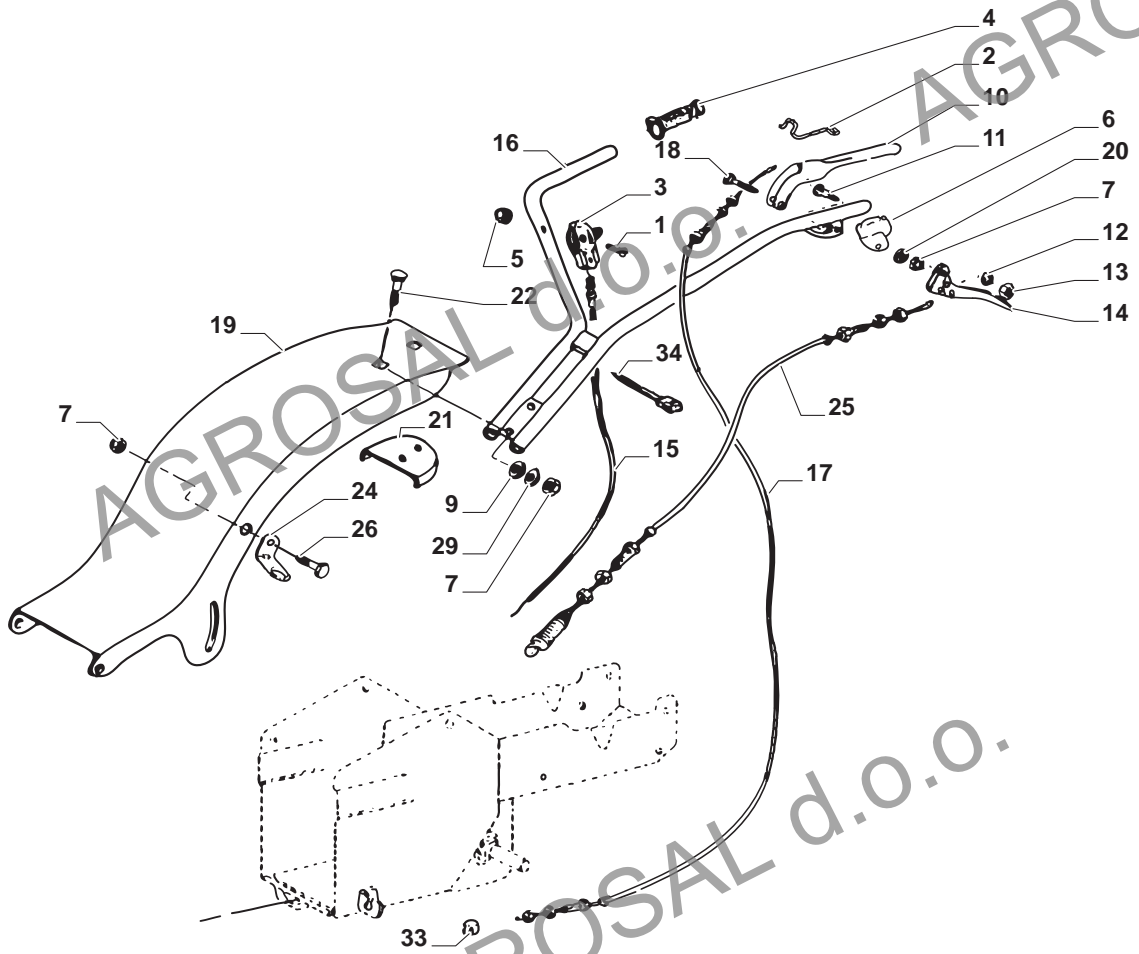
POSITION	PART NO.	Q.Ty	DESCRIPTION	NOTES
1	9799-1031-02	2	Nut	
2	9678-0011-02	2	Lock Washer	
3	1483-2085-01	1	Spacer	
4	118800058/0	1	Support	
5	9959-0816-16	8	Screw	
6	9699-0028-02	6	Flat washer	
7	9699-0028-02	3	Flat washer	
8	9747-0831-02	9	Lock nut	
9	1483-2108-01	8	Spacer	
10	118800050/0	2	Bearing	
11	118800057/0	1	Spacer	
12	1483-2326-01	1	Pulley	
13	1483-2352-01	1	Belt	
14	112139100/0	1	Key	
15	118800056/0	1	Pulley	
16	118800311/0	1	Spacer	
17	1483-2353-01	1	Shaft	
18	1483-2347-01	1	Protection Cover Yellow	
19	9699-0122-02	3	Washer	
20	9997-0835-12	2	Screw	
21	9987-5225-16	1	Screw	
22	118800505/0	1	Pulley	
23	118800312/0	1	Spacer	
24	1483-2350-01	1	Belt	
25	1483-2354-01	1	Pulley	
26	1483-2071-01	1	Bearing	
27	1483-2355-01	1	Gasket	
28	118800310/0	1	Screw	
29	118800316/0	1	Support	
30	9997-0840-12	1	Screw	
31	9799-1231-02	1	Nut	
32	9997-1230-16	1	Screw	
33	1483-2004-01	1	Pulley	
34	9997-0816-16	1	Screw	
35	1483-2083-01	1	Lever	
36	118800313/0	1	Bushing	
37	9959-0825-16	2	Screw	
38	9747-1231-02	1	Nut	
39	118800051/0	1	Spacer	
40	1483-2325-01	1	Pulley	
41	9699-0105-02	1	Washer	
42	9699-0035-02	1	Flat washer	
43	1483-2345-01	2	Chassis	
44	1483-2020-01	1	Spacer	
45	9747-1031-02	1	Lock nut	
46	9997-0620-16	4	Screw	
47	1483-2349-01	1	Protection Cover Yellow	
48	118800501/0	1	Chassis Red	
48	118800503/0	1	Chassis Yellow	
49	1483-2069-01	2	Oil Seal	
50	1483-2363-01	2	Protection	
51	1483-2361-01	1	Right Wheel	
51	1483-2362-01	1	Left Wheel	
52	9997-0835-12	2	Screw	
53	9501-0500-00	1	Grease Dispenser	
54	118800499/0	2	Bushing	
55	9699-0035-02	2	Flat washer	



POSITION	PART NO.	Q.Ty	DESCRIPTION	NOTES
56	1483-2332-01	1	Lever	
57	1483-2021-01	1	Support	
58	1483-2075-01	1	Cap	
59	1483-2207-01	1	Spring	
60	9997-0835-12	1	Screw	
61	9699-0056-02	2	Flat washer	
62	9699-0100-02	3	Washer	

AGROSAL d.o.o.

AGROSAL

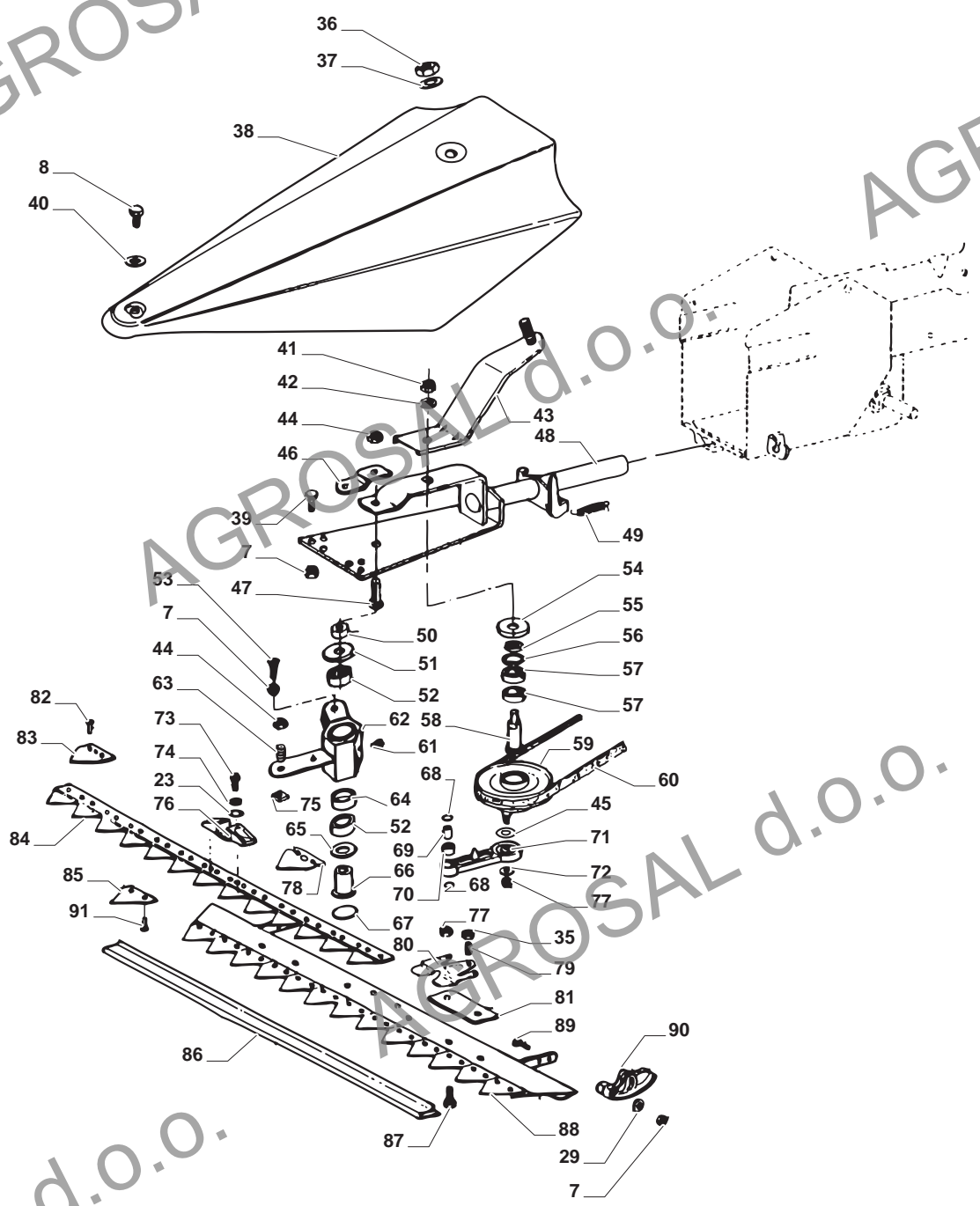


POSITION	PART NO.	Q.Ty	DESCRIPTION	NOTES
1	9948-0655-16	1	Screw	
2	118800309/0	1	Lever	
3	1483-2016-01	1	Accelerator	
4	1483-2079-01	2	Handgrip	
5	9747-0631-02	1	Lock nut	
6	1483-2333-01	1	Plate	
7	9747-0831-02	4	Lock nut	
9	118800511/0	2	Washer	
10	118800003/0	1	Lever	
11	1483-2005-01	1	Pin	
12	1483-2194-01	1	Washer	
13	9747-0531-02	1	Nut	
14	1483-2008-01	1	Handle	
15	1483-2344-01	1	Throttle Cable	
16	1483-2358-01	1	Handle	
17	1483-2360-01	1	Cable, Rear Drive	
18	9997-0850-12	1	Screw	
19	1483-2356-01	1	Support Yellow	
20	9699-0028-02	1	Flat washer	
21	118800329/0	1	Shock Absorber	
22	9897-0845-12	2	Screw	
24	1483-2021-01	1	Support	
25	1483-2359-01	1	Cable, Rear Drive	
26	9997-0816-16	1	Screw	
29	9699-0122-02	1	Washer	
33	118800002/0	1	Fairlead	
34	9579-0003-00	1	Fair Led	

AGROSAL

AGROSAL d.o.o.

AGROSAL



d.o.o.

AG

d.o.o.

AGROSAL d.o.o.

OSAL d.o.o.

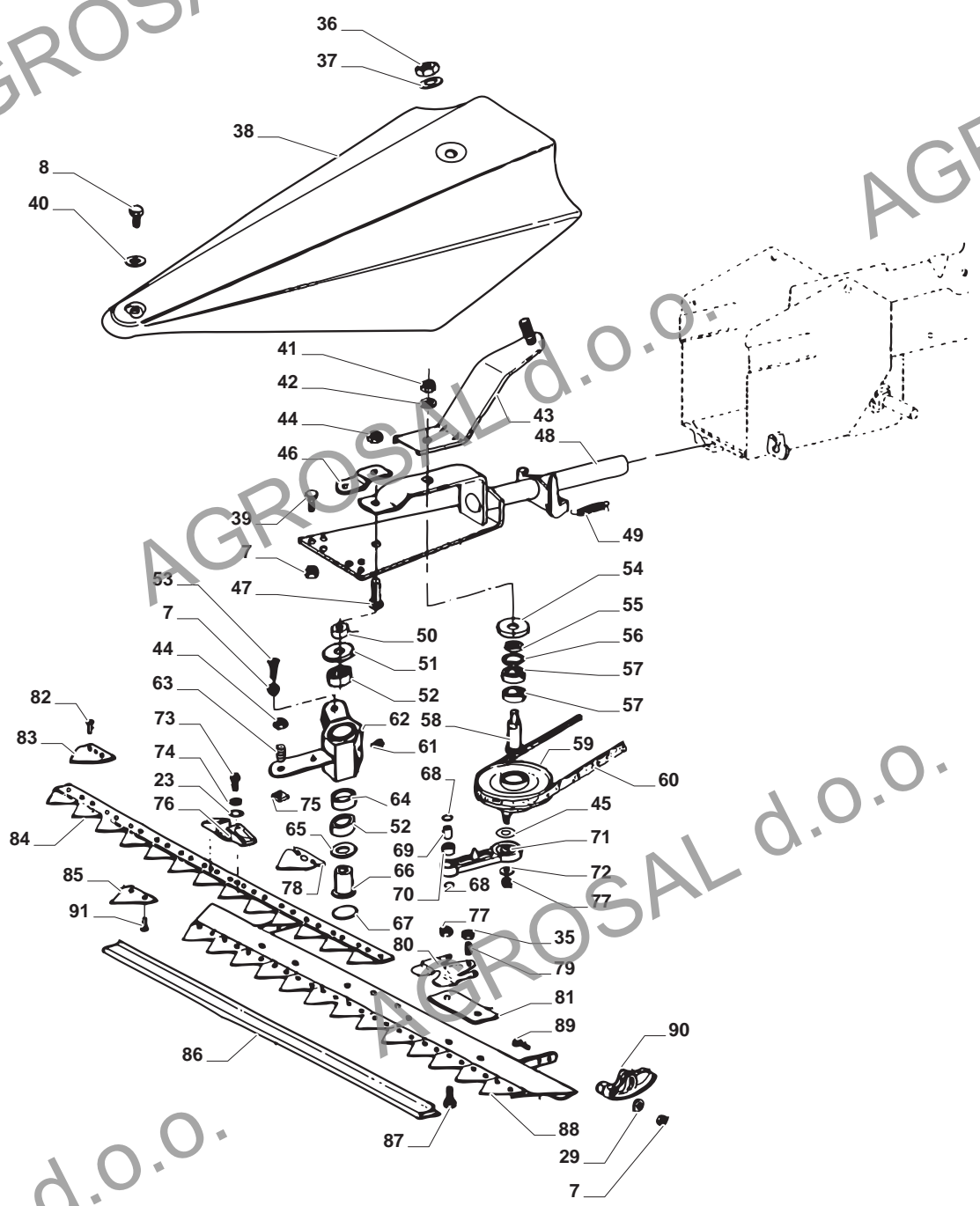
AGROSAL d.o.o.

POSITION	PART NO.	Q.Ty	DESCRIPTION	NOTES
7	9747-0831-02	9	Lock nut	
8	9959-0816-16	1	Screw	
23	118800376/0	2	Spacer	
29	9699-0122-02	4	Washer	
35	9799-0831-02	4	Nut	
36	9747-1231-02	1	Nut	
37	9699-0121-02	1	Washer	
38	1483-2343-01	1	Guard	
39	9997-0820-16	4	Screw	
40	9699-0056-02	1	Flat washer	
41	9747-1631-02	1	Nut	
42	9699-0104-02	1	Washer	
43	118800330/0	1	Clamp	
44	118800375/0	2	Nut	
45	118800317/0	1	Spacer	
46	118800331/0	1	Support	
47	118800386/0	1	Screw	
48	1483-2365-01	1	Support Yellow	
49	118800025/0	2	Spring	
50	118800307/0	1	Spacer	
51	118800308/0	1	Dust Cover	
52	118800370/0	2	Needle Bearing	
53	118800532/0	1	Screw	
54	118800494/0	1	Dust Cover	
55	118800498/0	1	Spacer	
56	118800359/0	1	Ring	
57	118800369/0	2	Bearing	
58	118800303/0	1	Pin	
59	1483-2327-01	1	Pulley	
60	1483-2351-01	1	Belt	
61	9501-0500-00	1	Grease Dispenser	
62	1483-2366-01	1	Equalizer	
63	118800306/0	1	Screw	
64	118800304/0	1	Spacer	
65	1483-2297-01	3	Spacer	
66	1483-2328-01	1	Pin	
67	118800366/0	1	Or Ring	
68	118800365/0	1	Or Ring	
69	118800305/0	1	Bushing	
70	118800367/0	1	Needle Bearing	
71	1483-2330-01	1	Connecting Rod	
72	9699-0105-02	1	Washer	
73	118800384/0	2	Screw	
74	9683-0030-02	2	Lock washer	
75	1483-2329-01	1	Tightener	
76	1483-2331-01	1	Plate	
77	9747-1031-02	9	Lock nut	
78	1483-2337-01	3	Plate	
79	118800385/0	4	Screw	
80	1483-2338-01	4	Plate	
81	1483-2339-01	4	Plate	
82	118800022/0	34	Rivet	
83	1483-2336-01	14	Plate	
84	1483-2334-01	1	Top Blade	
85	1483-2335-01	17	Plate	
86	1483-2340-01	1	Blade Guard	
87	9997-1020-16	8	Screw	

AGROSAL

AGROSAL d.o.o.

AGROSAL



d.o.o.

AG

OSAL d.o.o.

AGROSAL d.o.o.

AGROSAL d.o.o.

POSITION	PART NO.	Q.Ty	DESCRIPTION	NOTES
88	1483-2342-01	1	Blade	
89	9997-0830-16	4	Screw	
90	1483-2341-01	2	Shoe	
91	118800525/0	34	Rivet	