

***AGROSAL d.o.o.***

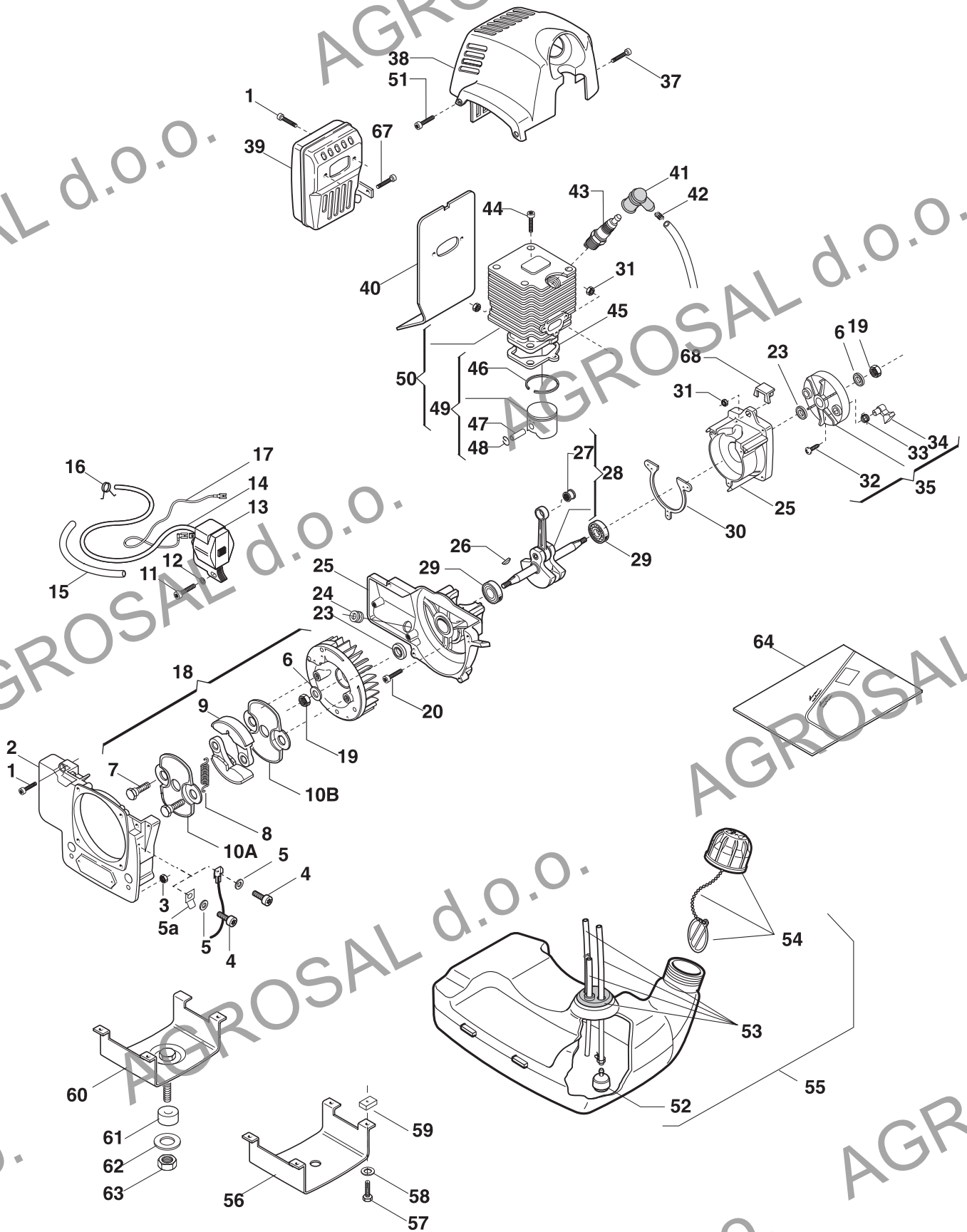
**ALPINA®**

**ALPINA STAR 45, 55**



***AGROSAL d.o.o.***

Gregorčičeva ulica 38, 5270 Ajdovščina  
telefon: 05 368 90 96, fax: 05 368 90 97  
e-mail: [info@agrosal.si](mailto:info@agrosal.si), [www.agrosal.si](http://www.agrosal.si)





# Star 45P - Star 45DP - Star 45FP - Star 55P - Star 55DP - Star 55FP

GLOBAL GARDEN PRODUCTS

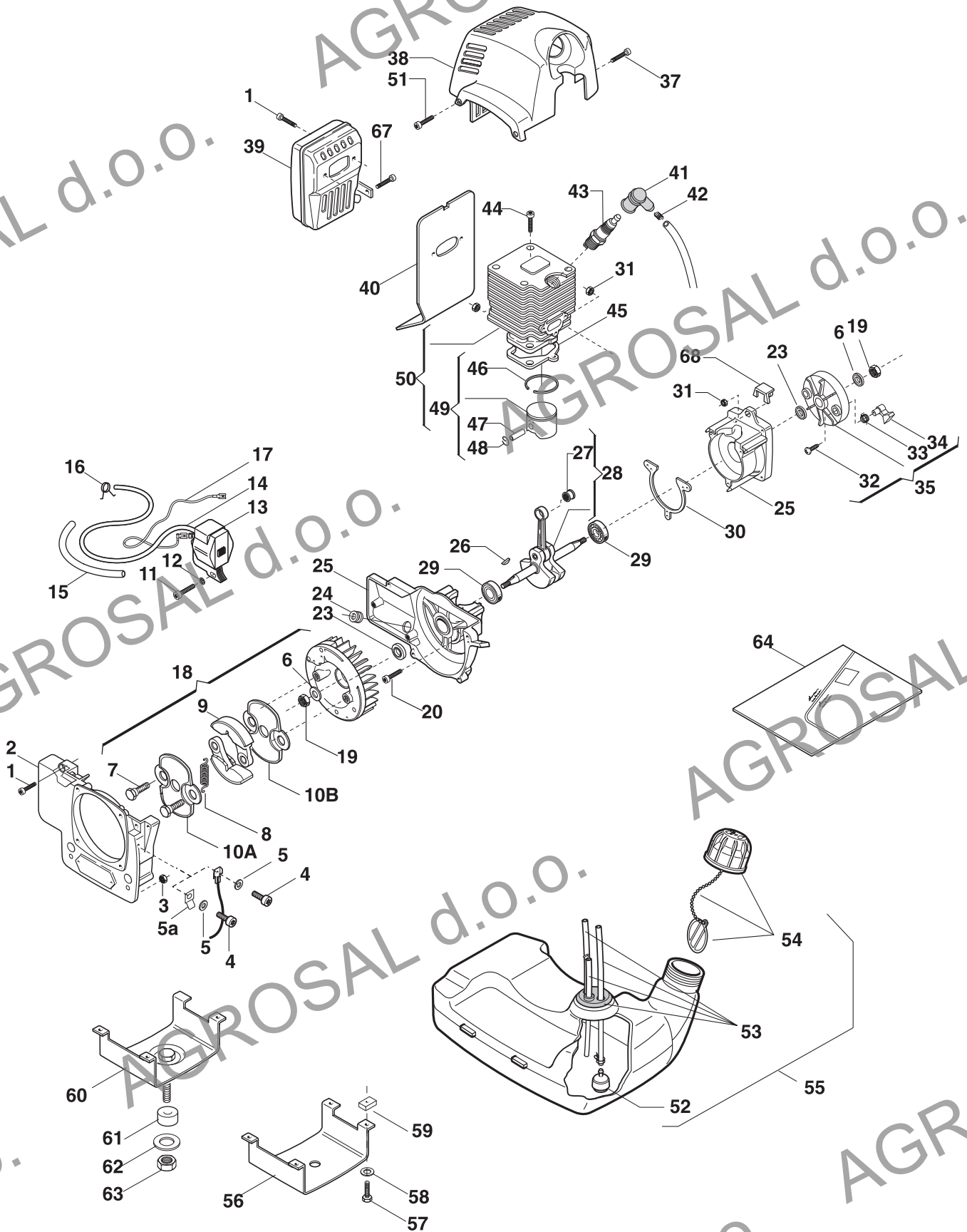
N°	Code	Q.ty	Descrizione	Description	Description	Beschreibung	Remarks
1	2135040	10	Vite	Screw	Vis	Schraube	
2	4540940	1	Carter Supp. Trasmissione	Transm.Support Case	Carter Supp. Transm.	Gehäuse Getriebeplat- tform	
3	2461030	4	Dado	Nut	Ecrou	Mutter	
4	2132500	1	Vite	Screw	Vis	Schraube	
5	2312120	1	Rondella	Washer	Rondelle	Unterlegscheibe	
5a	3211420	1	Faston (Flex)	Faston (Flex)	Faston (Flex)	Erdungsstecker (Flex)	
6	2350040	2	Rosetta	Washer	Rondelle	Scheibe	
7	2653213	2	Vite	Screw	Vis	Schraube	
8	3654040	1	Molla Frizione Mod. Ass. Pistone Ø 42	Spring Mod.Piston Ass. Y Ø 42	Ressort X Mod.Ens.Piston Ø 42	Kupplungsfeder X Mod. Kolbenst Ø 42	
8	3654220	1	Molla Frizione Mod. Ass. Pistone Ø 45	Spring Mod.Piston Ass. Y Ø 45	Ressort X Mod.Ens.Piston Ø 45	Kupplungsfeder X Mod. Kolbenst Ø 45	
9	3660430/1	2	Massa Frizione Mod. Ass. Pistone Ø 42	Clutch Unit Mod.Piston Ass.Y Ø 42	Embrayage X Mod.Ens.Piston Ø 42	Reibungsmasse X Mod. Kolbenst Ø 42	
9	3660500/1	2	Massa Frizione Mod. Ass. Pistone Ø 45	Clutch Unit Mod.Piston Ass.Y Ø 45	Embrayage X Mod.Ens.Piston Ø 45	Reibungsmasse X Mod. Kolbenst Ø 45	
10a	3615020	1	Lamierino Esterno Guida- masse	Outer Clutch-Mass Guide Plate	Plaque Ext. Guide-Embrayage	Außenblech Massen- führung	
10b	3615030	1	Lamierino Interno Guida- masse	Inner Clutch-Mass Guide Plate	Plaque Int. Guide-Embrayage	Innenblech Massen- führung	
11	2135060	2	Vite	Screw	Vis	Schraube	
12	2321150	2	Rosetta	Washer	Rondelle	Scheibe	
13	23044001/0	1	Bobina Elettronica	Electronic Coil	Bobine Électronique	Elektronikspule	
14	3211080	1	Filo Bobina	Spark Plug Cable	Fil Bobine	Draht Zündkerze	
15	3782040	1	Guaina Cavo Candela	Wire Jacket	Gaine Câble	Kabelmantel Gashebel	
16	3657450	1	Fascetta Cavo Candela	Clamp	Collier	Zündkerzenkabel	
17	3211415	1	Cavo Massa	Earth Cable	Câble Masse	Erdungskabel	
18	8252500/1	1	Ass.Volano-Masse Mod. Pist. Ø 42 (Incl.7-10)	Flywheel Ass.Y X Mod. Piston Ø 42 (Incl.7-10)	Ens.Volant X Mod.Ens.Piston Ø 42 (Incl.7-10)	Set Schwungrad Ma- gnet X Mod. Kolbenst Ø 42 (Incl.7-10)	
18	8252510/1	1	Ass.Volano-Masse Mod. Pist. Ø 45 (Incl.7-10)	Flywheel Ass.Y X Mod. Piston Ø 45 (Incl.7-10)	Ens.Volant X Mod.Ens.Piston Ø 45 (Incl.7-10)	Set Schwungrad Ma- gnet X Mod. Kolbenst Ø 45 (Incl.7-10)	
19	2412100	2	Dado	Nut	Ecrou	Mutter	
20	2135130	4	Vite	Screw	Vis	Schraube	
23	3121120	2	Anello Di Tenuta	Seal Ring	Anneau De Tenue	Dichtung	
24	3745130	1	Gommino Passacavo	Grommet	Rondelle Caoutchouc	Lippklampe	
25	8540930	1	Coppia Carter Motore	Crankcase Ass.Y	Ens. Carter Moteur	Paar Motorabdeckung	
26	3151050	1	Linguetta Volano	Flywheel Key	Clavette Volant	Lasche Schwungrad	
27	3114190	1	Gabbia A Rulli	Needle Bearing	Roul. À Aiguilles	Walzenkäfig	
28	8251440	1	Ass.Albero Motore) (Incl.27)	Cranckshaft Ass.Y (Incl.27)	Ens.Arbre Moteur (Incl.27)	Set Motorwelle (Incl.27)	
29	3112040	2	Cuscinetto	Bearing	Roul. À Billes	Kugellager	
30	3724120	1	Guarnizione Carter	Gasket	Joint	Dichtung Abdeckung	
31	2432040	5	Dado	Nut	Ecrou	Mutter	
32	2123100	2	Vite	Screw	Vis	Schraube	
33	3654050	2	Molla Aggancio Avv.To	Spring	Ressort	Feder Sperrung	
34	3749570	2	Aggancio Avviamento	Starter Hook	Fixation Démarreur	Sperre Starter	
35	8540950	1	Ass.Coppa Avviamento (Incl.32-34)	Starter Cup Ass.Y (Incl.32-34)	Ens.Coupe Démarreur (Incl.32-34)	Schwungrad Magnet (Incl.32-34)	
37	2135030	3	Vite	Screw	Vis	Schraube	
38	4563880	1	Cuffia Copricilindro Gialla	Yellow Cylinder Cover	Couvercle Cylindre Jaune	Motorabdeckung Gelb	
38	4563883	1	Cuffia Copricilindro Rosso	Red Cylinder Cover	Couvercle Cylindre Rouge	Motorabdeckung Rot	
39	4122170/1	1	Silenziatore	Muffler	Silencieux	Schalldämpfer	
40	3724380	1	Guarnizione Silenziatore	Gasket	Joint Silencieux	Dichtung Schalldäm- pfer	
41	3744850	1	Cappuccio Candela	Spark Plug Cover	Capuchon Bougie	Zündkerzenkappe	
42	3657530	1	Terminale Filo Candela	Spark Plug Spring	Borne Fil Bougie	Drahtende Zündkerze	
43	3210024	1	Candela	Spark Plug	Bougie	Zündkerze	



# Star 45P - Star 45DP - Star 45FP - Star 55P - Star 55DP - Star 55FP

GLOBAL GARDEN PRODUCTS

Motore 1, Engine 1, Moteur 1, Motor 1





# Star 45P - Star 45DP - Star 45FP - Star 55P - Star 55DP - Star 55FP

GLOBAL GARDEN PRODUCTS

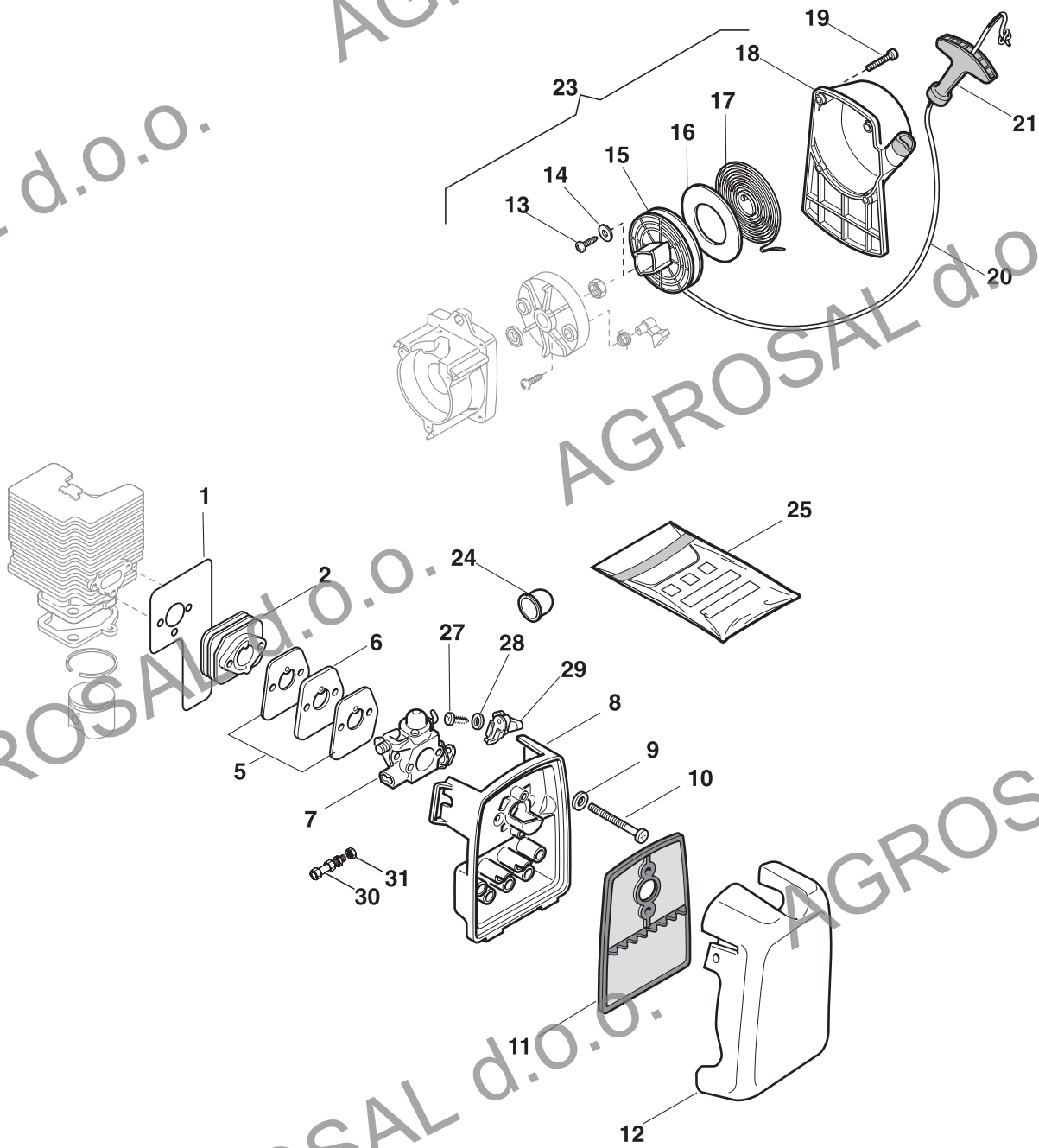
N°	Code	Q.ty	Descrizione	Description	Description	Beschreibung	Remarks
44	2135060	4	Vite	Screw	Vis	Schraube	
45	3724130	1	Guarnizione Cilindro	Cylinder Gasket	Joint Cylindre	Zylinderdichtung	
46	3123200	1	Fascia Elastica Ø 42	Piston Ring Ø 42	Collier Élastique Ø 42	Kolbenring Ø 42	Star 45
46	3123110	1	Fascia Elastica Ø 45	Piston Ring Ø 45	Collier Élastique Ø 45	Kolbenring Ø 45	Star 55
47	3158010	1	Spinotto Pistone Ø 42	Piston Pin Ø 42	Pointeau Pistonx Ens.Piston Ø 42	Kolbenbolzen X Mod. Kolbenset Ø 42	Star 45
47	3158080	1	Spinotto Pistone Ø 45	Piston Pin Ø 45	Pointeau Pistonx Ens.Piston Ø 45	Kolbenbolzen X Mod. Kolbenset Ø 45	Star 55
48	3356020	2	Fermo Spinotto	Circlip	Circlip	Sperre Bolzen	
49	8540860	1	Ass.Pistone Ø 42 (Incl.46-48)	Piston Ass.Y Ø 42 (Incl.46-48)	Ens.Piston Ø 42 (Incl.46-48)	Kolbenset Ø 42 (Incl.46-48)	Star 45
49	8540960	1	Ass.Pistone Ø 45 (Incl.46-48)	Piston Ass.Y Ø 45 (Incl.46-48)	Ens.Piston Ø 45 (Incl.46-48)	Kolbenset Ø 45 (Incl.46-48)	Star 55
50	8540890	1	Ass.Cil-Pist Ø 42 (Incl.49)	Cyl-Pist Ø 42 (Incl.49)	Cyl.-Pist. Ø 42 (Incl.49)	Set Kolben-Zyl. Ø 42 (Incl.49)	Star 45
50	8540970/2	1	Ass.Cil-Pist Ø 45 (Incl.49)	Cyl-Pist Ø 45 (Incl.49)	Cyl.-Pist. Ø 45 (Incl.49)	Set Kolben-Zyl. Ø 45 (Incl.49)	Star 55
51	2135040	2	Vite	Screw	Vis	Schraube	
52	4253290	1	Pescante Miscela	Intake Filter	Filtre D Aspiration	Tauchsonde	
53	8745542	1	Ass.Gommino Passatubi	Grommet Ass.Y	Ens.Rondelle Caoutchouc	Set Gummiringe	
54	8741370	1	Ass.Tappo Miscela	Fuel Cap Ass.Y	Ens.Bouchon Mélange	Deckel Treibstoff-tank	
55	4252620/1	1	Ass.Serbatoio Mix (Incl.52-54)	Fuel Tank Ass.Y (Incl.52-54)	Ens.Réservoir Mélange (Incl.52-54)	Treibstofftank (Incl.52-54)	
56	4612237	1	Flangia Supporto Motore	Flange	Bride Moteur	Flansch	
57	2135030	4	Vite	Screw	Vis	Schraube	
57	2135040	4	Vite	Screw	Vis	Schraube	
58	2321150	4	Rondella	Washer	Rondelle	Unterlegscheibe	
59	2461030	4	Dado	Nut	Ecrou	Mutter	
60	4121957	1	Flangia Supp.Motore (Flex)	Flange (Flex)	Bride Moteur (Flex)	Flansch (Flex)	
61	2382230	1	Distanziale (Flex)	Spacer (Flex)	Entretoise (Flex)	Thermoisolierung (Flex)	
62	2330060	1	Rosetta	Washer	Rondelle	Scheibe	
63	2412180	1	Dado (Flex)	Nut (Flex)	Ecrou (Flex)	Mutterschraube (Flex)	
64	8724380/1	1	Serie Guarnizioni (Incl. 30-40-45)	Gasket Set (Incl. 30-40-45)	Série Joints (Incl. 30-40-45)	Set Dichtungen (Incl.30-40-45)	
67	2135180	1	Vite	Screw	Vis	Schraube	
68	3750537	1	Distanziale Cuffia	Yellow Spacer	Entretoise Jaune	Distanzstück Gelb	



# Star 45P - Star 45DP - Star 45FP - Star 55P - Star 55DP - Star 55FP

GLOBAL GARDEN PRODUCTS

Motore 2, Engine 2, Moteur 2, Motor 2

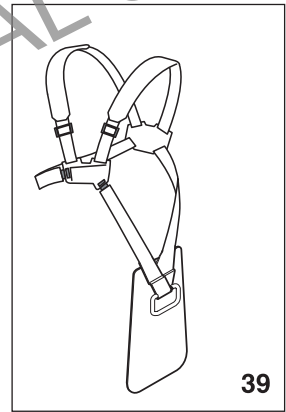
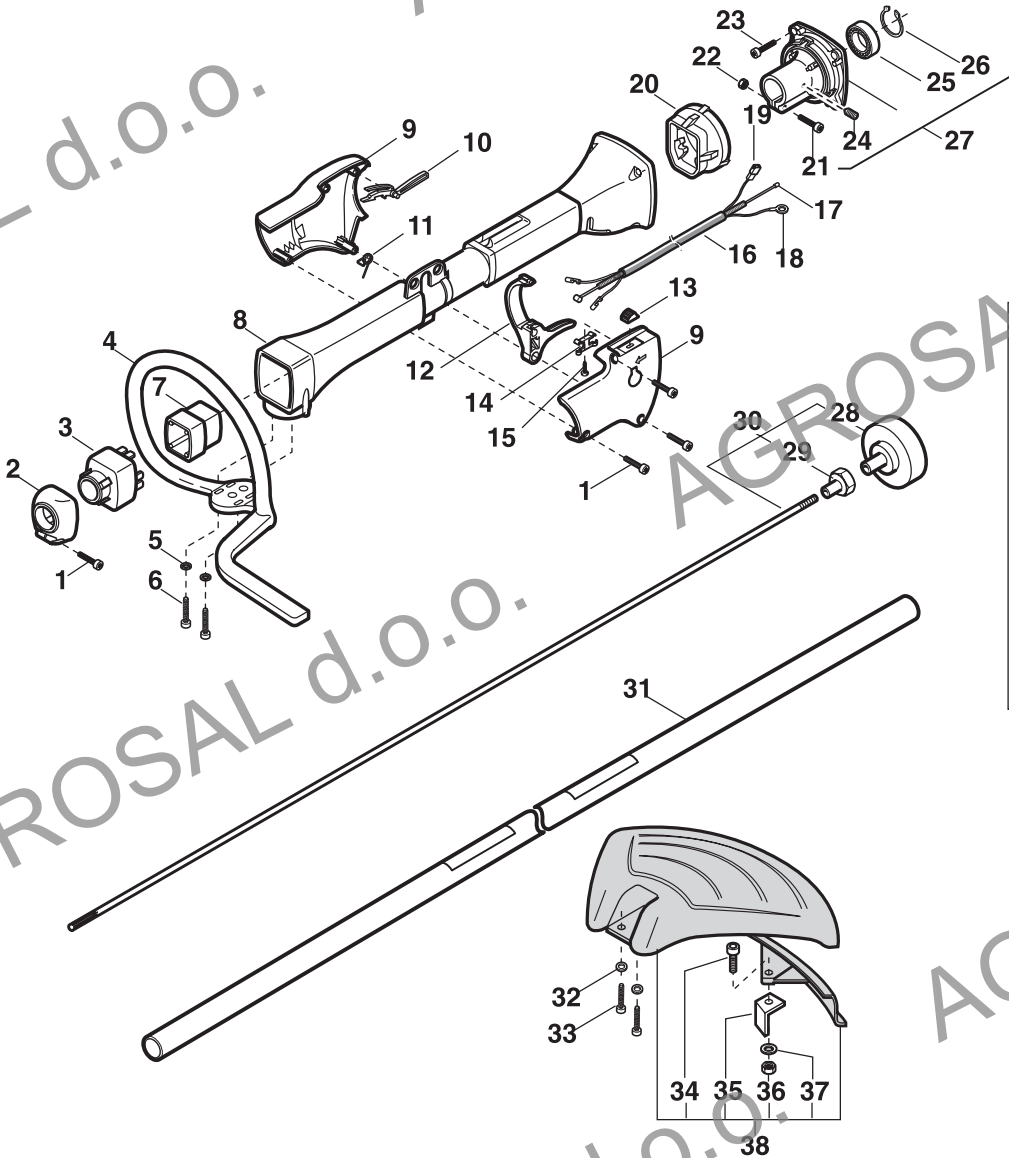




# Star 45P - Star 45DP - Star 45FP - Star 55P - Star 55DP - Star 55FP

GLOBAL GARDEN PRODUCTS

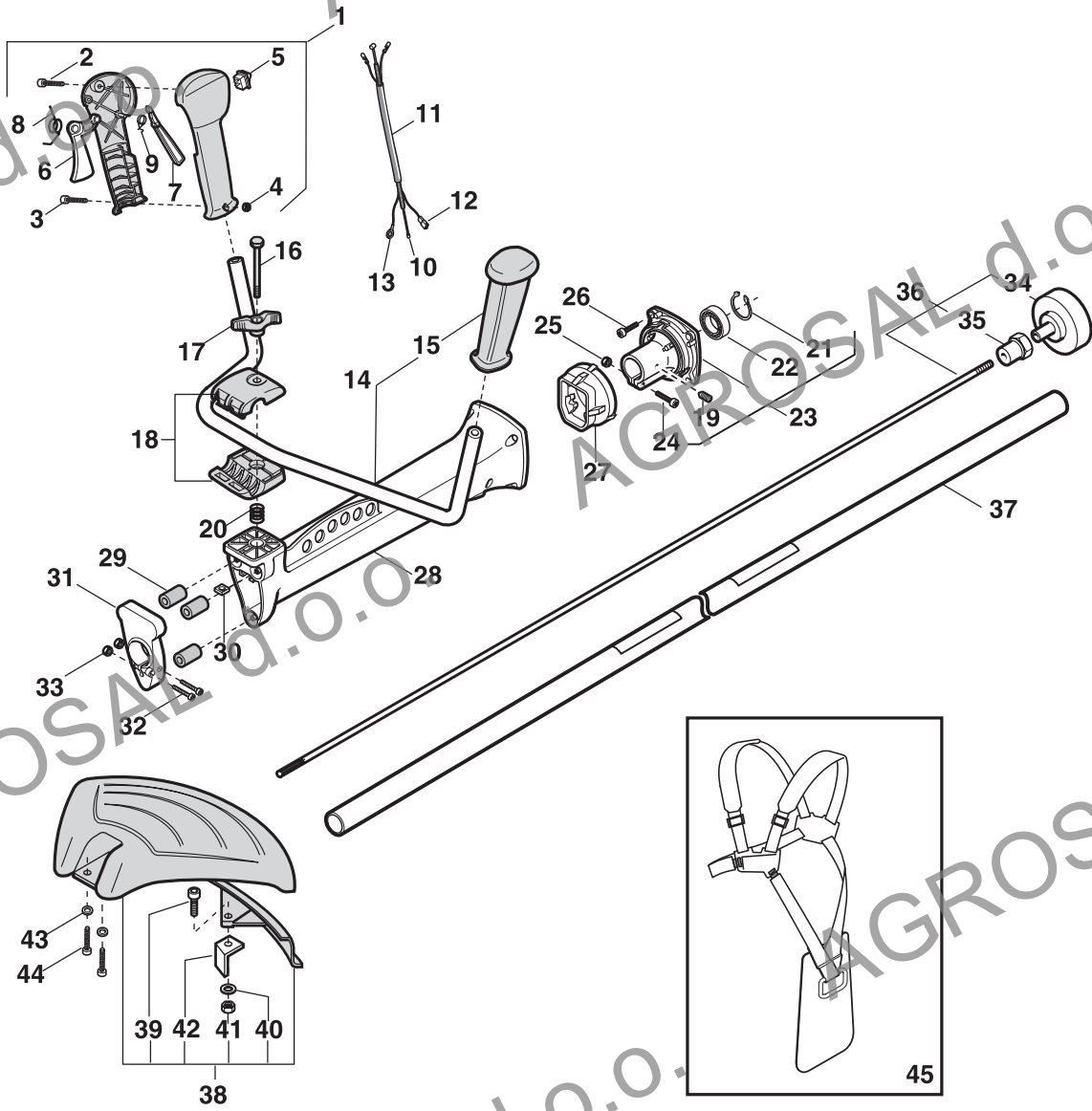
N°	Code	Q.ty	Descrizione	Description	Description	Beschreibung	Remarks
1	3724390/2	1	Guarniz.Collett-Cilindro	Intake-Manif Gasket	Joint Collect.-Cylindre	Dicht. Kollekt.-Zylinder	
2	3749740/1	1	Collettore Aspirazione	Intake Manifold	Collecteur Aspiration	Kollektor Ansaugung	
5	3724160	2	Guarniz.Carburat.-Collett	Gasket	Joint	Dicht. Verg.-Kollekt.	
6	3785050/1	1	Distanziale Termico	Heat Block	Blocage Thermique	Thermoisolierung	
7	23054014/1	1	Carburatore	Carburettor	Carburateur	Vergaser	Walbro WT 761A
8	23781004/0	1	Supporto Filtro Aria Grigio	Air Filter Holder	Supp. Filtre À Air	Halter Luftfilter	
9	2312090	2	Rosetta	Washer	Rondelle	Scheibe	
10	2135230	2	Vite	Screw	Vis	Schraube	
11	3781640	1	Filtro Aria	Air Filter	Filtre À Air	Luftfilter	
12	23090008/0	1	Coprifiltro Aria Giallo	Yellow Filter Cover	Couvre-Filtre À Air Jaune	Filterabd. Gelb	
12	23090009/0	1	Coprifiltro Aria Rosso	Red Filter Cover	Couvre-Filtre À Air Rouge	Filterabd. Rot	
13	2123100	1	Vite	Screw	Vis	Schraube	
14	3613420	1	Rosetta	Washer	Rondelle	Scheibe	
15	4562440	1	Puleggia Avviamento	Starter Pulley	Poulie Démarrage	Riemenscheibe Starter	
16	3724200	1	Disco Per Molla Avv.To	Disc	Disque	Scheibe F. Feder	
17	4611480	1	Molla Avviamento	Spring	Ressort	Feder Starter	
18	8563890	1	Carter Avviamento	Starter Recoil Case	Carter Démarreur	Startergehäuse	
19	2135040	4	Vite	Screw	Vis	Schraube	
20	3784010	1	Fune Avviamento	Starter Cord	Câble Démarrage	Seil Starter	
21	3750067	1	Impugnatura Avviam.To	Starter Handle	Poignée Démarrage	Griff Starter	
23	4252700	1	Ass.Avviatore (Incl.13-21)	Starter Ass.Y (Incl.13-21)	Ens. Démarreur (Incl.13-21)	Startereinheit (Inkl.13-21)	
24	3744870	1	Primer	Primer	Primer	Primer	
25	4353150	1	Kit Memb-Guarniz	Gasket-Diaph. Set	Kit Membr.-Joint	Set Memb.-Dicht.	
29	6981137	1	Leva Aria	Choke Lever	Levier Air	Chokerhebel	
27	2123090	1	Vite	Screw	Vis	Schraube	
29	2312180	1	Rosetta	Washer	Rondelle	Scheibe	
30	3630600/1	1	Registro Cavo Accleratore	Throttle Cable Adjuster	Registre	Regler	
31	2412090	1	Dado	Nut	Ecrou	Mutter	





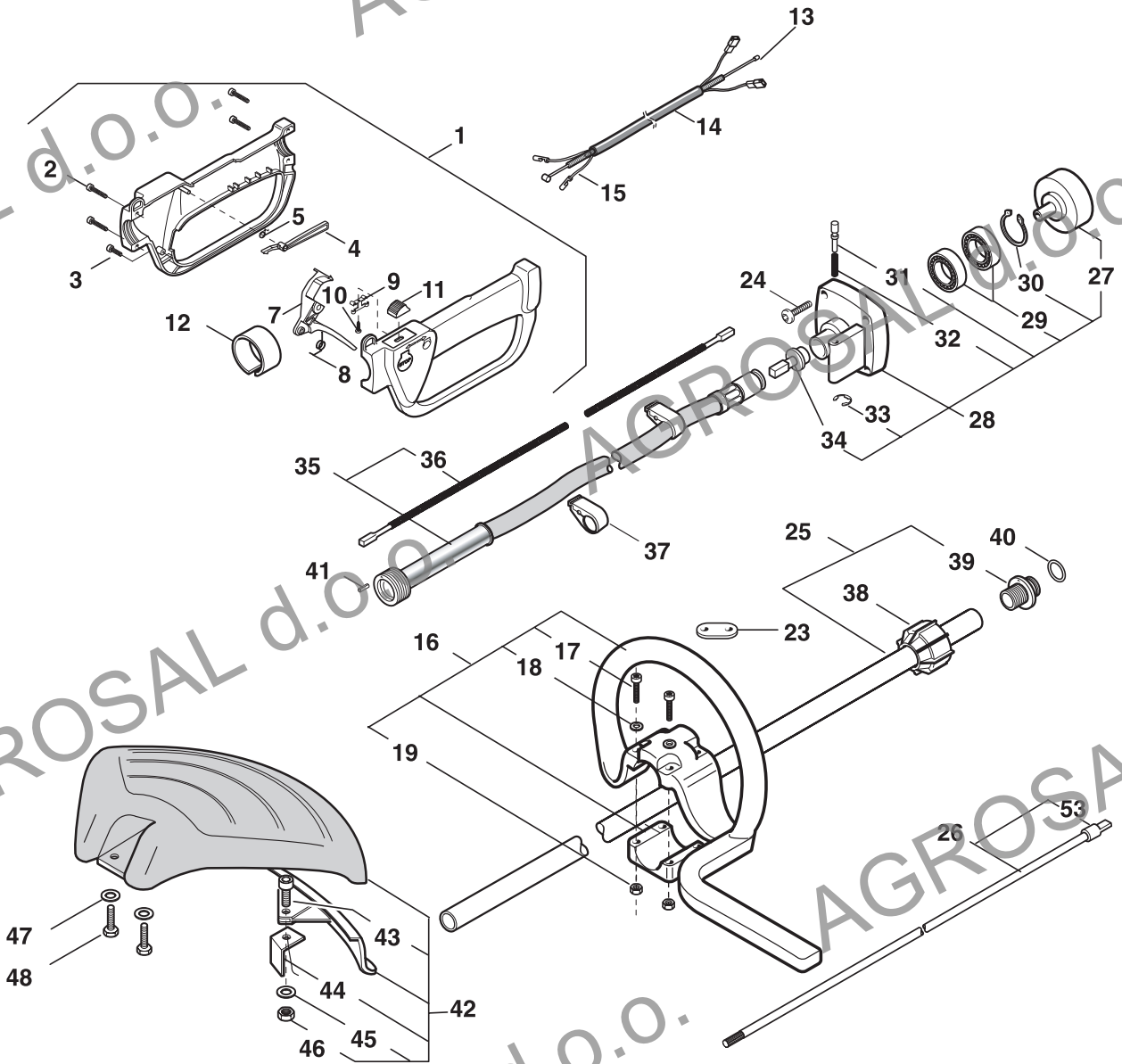


N°	Code	Q.ty	Descrizione	Description	Description	Beschreibung	Remarks
1	2123030	4	Vite	Screw	Vis	Schraube	
2	3750330	1	Supporto Anteriore Carenatura	Front Housing Support	Support Avant Carter	Halter Vordergehäuse	
3	3744290	1	Gommino Antivibrante Anteriore	Front Shock Absorber	Caoutchouc Anti-Vibrat. Avant	Schwingungsdämpfer	
4	4563560	1	Impugnatura Anteriore	Front Handle	Poignée Avant	Handgriff Vorne	
5	2312150	2	Rondella	Washer	Rondelle	Unterlegscheibe	
6	2123140	2	Vite	Screw	Vis	Schraube	
7	3750340	1	Ghiera Riduzione Anteriore	Front Step-Down Spacer	Bague Réduction Avant	Vorderer Reduziererring	
8	4563531	1	Carenatura	Transmission Housing	Carter Transmission	Gehäuse	
9	8563540	1	Coppia Gusci Impugnatura	Handgrip Housing Couple	Paire Protect. Poignées	Paar Handgriffhülsen	
10	3743630	1	Leva Sicurezza	Safety Lever	Levier De Sécurité	Sicherheitshebel	
11	3654490	1	Molla Leva Acceleratore	Spring	Ressort	Feder Gashebel	
12	3743620	1	Leva Acceleratore	Throttle Lever	Levier Accélérateur	Gashebel	
13	3749270	1	Pomello Di Stop	Stop Knob	Bouton D'Arrêt	Stop-Schalter	
14	3612710	1	Lamierino Di Stop	Stop Plate	Plaque D'Arrêt	Stop-Plättchen	
15	2123070	1	Vite	Screw	Vis	Schraube	
16	3786200/1	1	Guaina Protezione Cavi	Wire Sheath	Gaine Câbles	Kabelmantel	
17	23066007/0	1	Cavo Acceleratore	Wire Ass.Y	Câble Accélér.	Starterkabel	
18	3211120	1	Cavo Massa (Nero)	Earth Cable (Black)	Câble Masse (Noir)	Erdungskabel (Schwarz)	
19	3211490	1	Cavo Bobina-Interruttore (Rosso)	Coil-Switch Cable (Red)	Câble Bobine-Inter. (Rouge)	Spulendraht-Schalter (Rot)	
20	3744300	1	Gommino Antivibrante Posteriore	Rear Shock Absorber	Caoutchouc Anti-Vibrat. Arrière	Schwingungsdämpfer	
21	2135150	1	Vite	Screw	Vis	Schraube	
22	2432030	1	Dado	Nut	Ecrou	Mutter	
23	2135160	4	Vite	Screw	Vis	Schraube	
24	2126050	1	Vite	Screw	Vis	Schraube	
25	3112170	1	Cuscinetto	Bearing	Roul. À Billes	Kugellager	
26	3353080	1	Anello Seeger	Ring	Circlip	Ring	
27	8520990/2	1	Ass. Mozzo Trasm. Ø26 (Incl. 24-26)	Transm. Hub Ass.Y Ø26 (Incl.24-26)	Ens.Moyeu Transm. Ø26 (Incl. 24-26)	Antriebsnabe Ø26 (Inkl.24-26)	
28	4121861/1	1	Campana Frizione	Clutch Drum	Cloche Embrayage	Kupplungsglocke	
29	3642191	1	Mozzo Cuscinetto	Bearing Hub	Moyeu Roulement	Lagernabe	
30	4251400	1	Albero Trasmissione (Incl.28-29)	Transmission Shaft (Incl.28-29)	Arbre Transmission (Incl.28-29)	Motorwelle (Inkl.28-29)	
31	4251204	1	Ass. Tubo Trasmissione Ø26	Transmission Pipe Ass.Y	Ens.Tube Transm.	Set Rohr Pulse	
32	2312150	2	Rondella	Washer	Rondelle	Unterlegscheibe	
33	2135060	2	Vite	Screw	Vis	Schraube	
34	2135030	1	Vite	Screw	Vis	Schraube	
35	3615000	1	Lamierino Tagliafilo	Line Cutter	Coupe-Fil	Drahtscherenblech	
36	2432040	1	Dado	Nut	Ecrou	Mutter	
37	2312150	1	Rondella	Washer	Rondelle	Unterlegscheibe	
38	8563570	1	Ass. Paraspruzzi (Incl. 34-37)	Safety Cover Ass.Y (Incl.34-37)	Ens. Capot Anti-Projections (Incl. 34-37)	Set Spritzschutz (Inkl.34-37)	
39	4253460	1	Bretella (Mod. 36-41)	Harness (Mod.36-41)	Harnais (Mod. 36-41)	Gurtzeug (Mod. 36-41)	
39	4253440	1	Bretella (Mod. 45-55)	Harness (Mod.45-55)	Harnais (Mod. 45-55)	Gurtzeug (Mod. 45-55)	



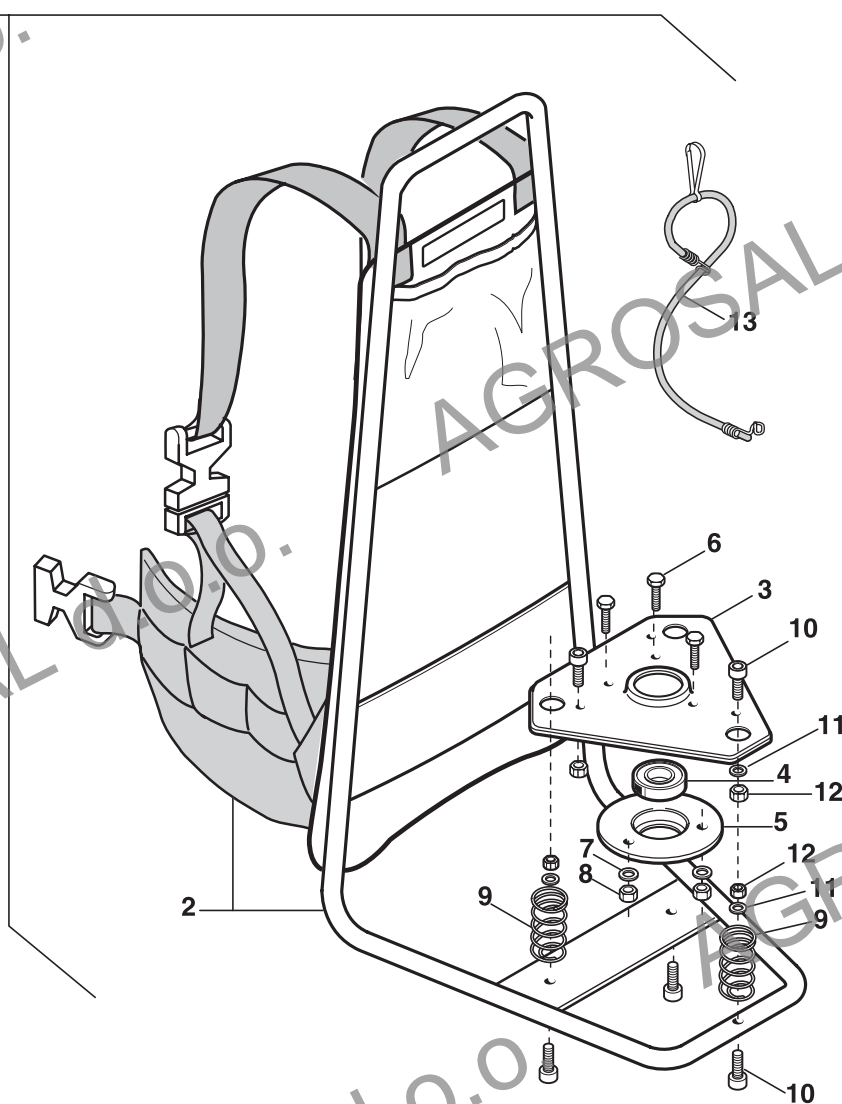


N°	Code	Q.ty	Descrizione	Description	Description	Beschreibung	Remarks
1	8563830	1	Ass. Impugnatura (Incl.2-9)	Handle Ass.Y (Incl.2-9)	Ens.Poignée (Incl.2-9)	Set Handgriff (Inkl.2-9)	
2	2123030	1	Vite	Screw	Vis	Schraube	
3	2135050	1	Vite	Screw	Vis	Schraube	
4	12154330/0	1	Dado	Nut	Ecrou	Mutter	
5	3210970	1	Interruttore Stop	Stop Switch	Interrupteur D'Arrêt	Stop-Schalter	
6	3743431/1	1	Leva Acceleratore	Throttle Lever	Levier Accélérateur	Gashebel	
7	3743441	1	Leva Di Sicurezza	Safety Lever	Levier De Sécurité	Sicherheitshebel	
8	3654270/1	1	Molla Leva Acceleratore	Spring	Ressort	Feder Gashebel	
9	3654280/1	1	Molla Leva Di Sicurezza	Spring	Ressort	Feder Sicherheitshebel	
10	23066008/0	1	Cavo Acceleratore	Wire Ass.Y	Câble Accélér.	Starterkabel	
11	3786220	1	Guaina Cavi	Wire Sheath	Gaine Câbles	Kabelmantel	
12	3211590	1	Cavo Bobina-Interruttore (Rosso)	Coil-Switch Cable (Red)	Câble Bobine-Interrupt. (Rouge)	Spulendraht-Schalter (Rot)	
13	3211600/1	1	Cavo Massa (Nero)	Earth Cable (Black)	Câble Masse (Noir)	Erdungskabel (Schwarz)	
14	4252840/1	1	Manubrio C/Manopola Sx.	Handle	Guidon	Handgriff	
15	3744860/1	1	Impugnatura Sx	Left Knob	Poignée Gauche	Handgriff Links	
16	2112580	1	Vite	Screw	Vis	Schraube	
17	3750480	1	Galletto	Wing Nut	Ecrou À Oreilles	Flügelmutter	
18	8521070	1	Ass. Supporto Impugnatura	Handgrip Support Ass.Y	Ens.Support Poignée	Set Handgriffhalter	
19	2126050	1	Vite	Screw	Vis	Schraube	
20	3654530	1	Molla	Spring	Ressort	Feder	
21	3353080	1	Anello Seeger	Ring	Circlip	Ring	
22	3112170	1	Cuscinetto	Bearing	Roul. À Billes	Kugellager	
23	8521000/1	1	Ass.Mozzo Trasm. Ø 28 (Incl.19,21,22)	Transmission Hub Ass.Y Ø 28	Ens.Moyeu Transm. Ø 28	Antriebsnabe Ø 28	
24	213515	1	Vite	Screw	Vis	Schraube	
25	2432030	1	Dado	Nut	Ecrou	Mutter	
26	2135160	4	Vite	Screw	Vis	Schraube	
27	3744330	1	Gommino Antivib. Posteriore	Rear Shock Absorber	Caoutchouc Anti-Vibrat. Arrière	Schwingungsdämpfer	
28	4563850/1	1	Carenatura	Transmission Housing	Transmission Carénée	Gehäuse	
29	3744320	3	Gommino Antivib. Anteriore	Front Shock Absorber	Caoutchouc Anti-Vibrat. Avant	Schwingungsdämpfer	
30	3615190	1	Piastrina Fissaggio Manubrio	Handle Fixing Plate	Plaque Fixation Guidon	Handgriff-Befestigungsplättchen	
31	4563861	1	Supp. Ant. Carenatura Ø 28	Front Housing Support Ø 28	Supp. Avant Caréné Ø 28	Vord. Halter F. Gehäuse Ø 28	
32	2135060	2	Vite	Screw	Vis	Schraube	
33	12154330/0	2	Dado	Nut	Ecrou	Mutter	
34	4121861/1	1	Campana Frizione	Clutch	Cloche Embrayage	Kupplungsglocke	
35	3642191	1	Mozzo Cuscinetto	Bearing Hub	Moyeu Roulement	Lagernabe	
36	4251400	1	Albero Trasmisione (Incl.34,35)	Transmission Shaft (Incl.34,35)	Arbre Transmission (Incl.34,35)	Motorwelle (Inkl.34,35)	
37	4251724	1	Ass. Tubo Trasmis. Ø 28	Transmission Pipe Ass.Y Ø 28	Ens.Tube Transm. Ø 28	Set Rohr Pulse Ø 28	
38	8563570	1	Ass. Paraspruzzi (Incl.39-42)	Safety Cover Ass.Y (Incl.39-42)	Ens. Capot Anti-Projections (Incl.39-42)	Set Spritzschutz (Inkl.39-42)	
39	2135030	1	Vite	Screw	Vis	Schraube	
40	2312150	1	Rosetta	Washer	Rondelle	Scheibe	
41	2432040	1	Dado	Nut	Ecrou	Mutter	
42	3615000	1	Lamierino Tagliafilo	Line Cutter	Coupe-Fil	Drahtscherenblech	
43	2312150	2	Rosetta	Washer	Rondelle	Scheibe	
44	2135060	2	Vite	Screw	Vis	Schraube	
45	4253440	1	Bretella Profi	Harness	Harnais	Gurtzeug	



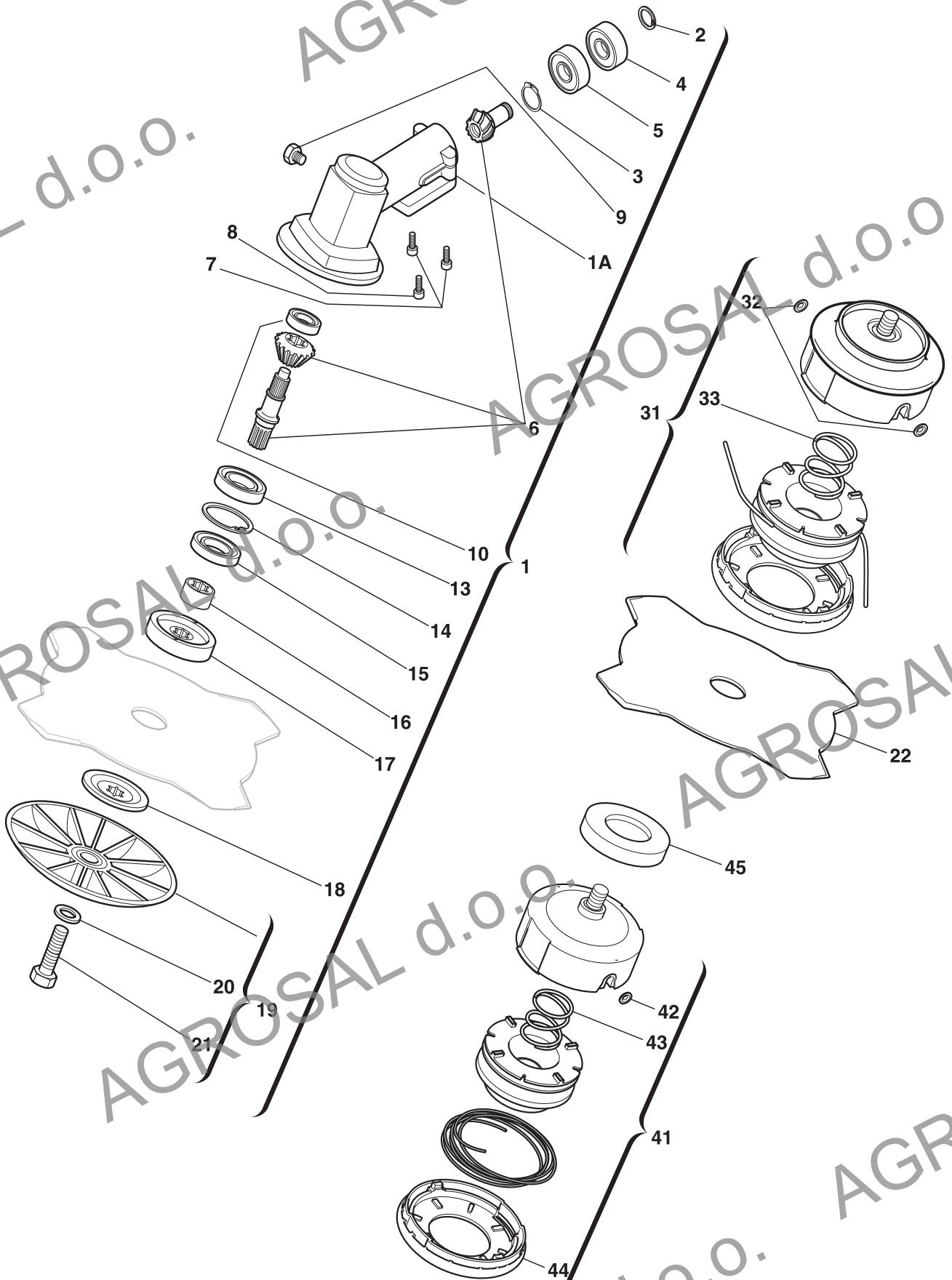


N°	Code	Q.ty	Descrizione	Description	Description	Beschreibung	Remarks
1	8562620/1	1	Ass. Impugnatura Post. (Incl.2-12)	Handle Ass.Y (Incl.2-12)	Ens.Poignée (Incl.2-12)	Set Handgriff Hinten (Incl.2-12)	
2	2123030	4	Vite	Screw	Vis	Schraube	
3	2123100	2	Vite	Screw	Vis	Schraube	
4	3743475	1	Leva Di Sicurezza	Safety Lever	Levier De Sécurité	Sicherheitshebel	
5	3654300	1	Molla Leva Di Sicurezza	Spring	Ressort	Feder Sicherheitshebel	
7	3743465	1	Leva Acceleratore	Throttle Lever	Levier Accélérateur	Gashebel	
8	3654270/1	1	Molla Leva Acceleratore	Spring	Ressort	Feder Gashebel	
9	3612710	1	Lamierino Di Stop	Stop Plate	Plaque D'Arrêt	Stop-Plättchen	
10	2123070	1	Vite	Screw	Vis	Schraube	
11	3749270	1	Pomello Di Stop	Stop Knob	Bouton D'Arrêt	Stop-Schalter	
12	3750290	2	Riduzione	Reduction	Réduction	Reduzierstück	
13	23066009/0	1	Cavo Acceleratore	Wire Ass.Y	Câble Accélér.	Starterkabel	
14	3782680	1	Guaina Cavi	Wire Sheath	Gaine Câbles	Kabelmantel	
15	8211390	1	Coppia Cavi Stop	Stop Cable Couple	Paire Câbles Arrêt	Kabelpaarstop	
16	8563600	1	Ass. Impugnatura Ant. (Incl.17-19)	Front Handle Ass.Y (Incl.17-19)	Ens.Poignée Avant (Incl.17-19)	Set Handgriff Vorne (Incl.17-19)	
17	2135050	4	Vite	Screw	Vis	Schraube	
18	2312090	4	Rosetta	Washer	Rondelle	Scheibe	
19	2412030	4	Dado	Nut	Ecrou	Mutter	
23	3614980	1	Asola Impugnatura X Corda Elastica	Handle-Hole For Elastic Cord	Œillet Poignée Pour Corde Élastique	Handgrifföse X Elastisches Seil	
24	2135160	4	Vite	Screw	Vis	Schraube	
25	4252390	1	Ass. Tubo Trasmissione (Incl.39)	Transm. Pipe Ass.Y (Incl.39)	Ens.Tube Transm. (Incl.39)	Set Rohr Pulse (Incl.39)	
26	8630150	1	Ass.Albero Trasmissione (Incl.53)	Transm.Shaft Ass.Y (Incl.53)	Ens.Arbre Transm. (Incl.53)	Set Motorwelle (Incl.53)	
27	4121861/1	1	Campana Frizione	Clutch Drum	Cloche Embrayage	Kupplungsglocke	
28	8540910	1	Ass.Supporto Trasmissione (Incl.27,29-34)	Support Transm. (Incl.27,29-34)	Supp. Transm. (Incl.27,29-34)	Getriebepattform (Incl.27,29-34)	
29	3112170	2	Cuscinetto	Bearing	Roul. À Billes	Kugellager	
30	3353080	1	Anello Seeger	Ring	Circlip	Ring	
31	3642420	1	Perno	Pin	Tourillon	Stift	
32	3654170	1	Molla	Spring	Ressort	Feder	
33	3351050	1	Fermo	Retainer	Butoir	Sperrung	
34	3642430	1	Mozzo	Hub	Moyeu	Nabe	
35	4122110/1	1	Ass.Albero Flex C/Guaina J (Incl.36)	Flex Shaft Ass.Y J (Incl.36)	Ens.Arbre Flex J (Incl.36)	Flex Welleneinheit J (Incl.36)	
36	4253990/1	1	Albero Flessibile J	Flexible Shaft J	Arbre Flexible J	Biegsame Welle J	
37	3749310	2	Fascetta Fermacavi	Clip	Collier	Kabelklemme	
38	3750270	1	Ghiera Fissaggio Impugnatura	Plate For Handle Fixing	Virole Fixation Poignée	Ring Griffbefestigung	
39	3643220	1	Manicotto Filettato X Flex Ø28	Flex Threaded Coupling Ø28	Manchon Fileté Pour Flex Ø28	Flex Gewindemuffe Ø28	
40	3721540	1	Anello Or	Or Ring	Joint Or	Or-Dichtung	
41	3314040	1	Spina Di Centraggio	Centring Pin	Goupille De Centrage	Zentrierstift	
42	8563570	1	Ass.Paraspruzzi (Incl.43-46)	Safety Cover Ass.Y (Incl.43-46)	Ens. Capot Anti-Projections (Incl.43-46)	Spritzschutz (Incl.43-46)	
43	2135030	1	Vite	Screw	Vis	Schraube	
44	3615000	1	Lamierino Tagliafilo	Line Cutter	Coupe-Fil	Drahtscherenblech	
45	2312150	1	Rosetta	Washer	Rondelle	Scheibe	
46	2432040	1	Dado	Nut	Ecrou	Mutter	
47	2312150	2	Rosetta	Washer	Rondelle	Scheibe	
48	2135060	2	Vite	Screw	Vis	Schraube	
53	3642290	1	Raccordo Innesto Flex Ø28	Flex Joint Ø28	Raccord Flex Ø28	Dehnbare Anschluss Ø28	





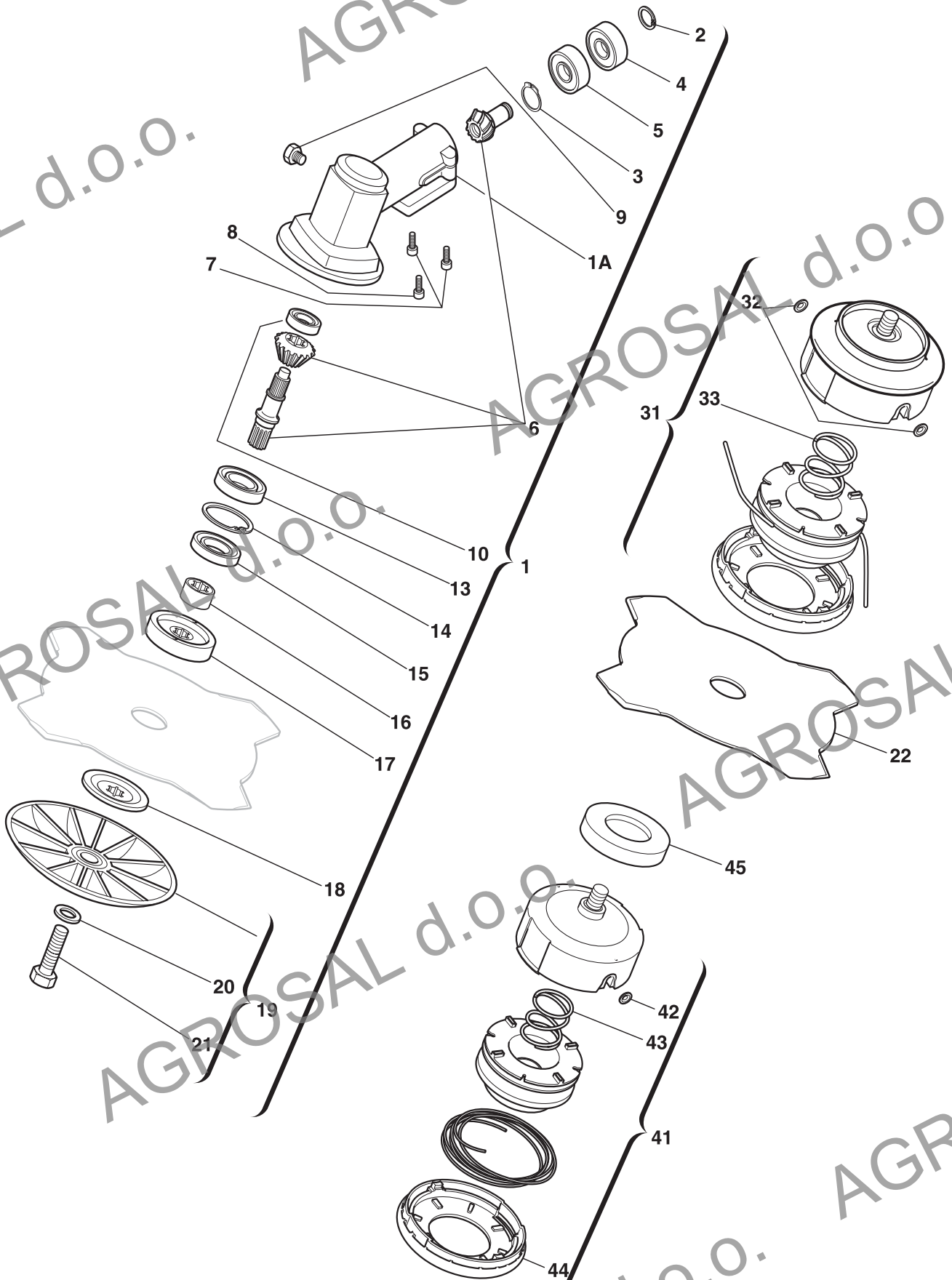
N°	Code	Q.ty	Descrizione	Description	Description	Beschreibung	Remarks
1	4252360	1	Ass.Zaino (Incl. 2-13)	Knap Sack (Incl. 2-13)	Sac À Dos (Incl. 2-13)	Rucksack (Inkl. 2-13)	
2	8122080	1	Ass. Telaio Zaino C/Bretelle	Knap Sack Frame Ass.Y W/Harness	Struct. Sac À Dos Avec Bretelles	Rahmen Rucksack M. Gurtzeug	
3	4612280	1	Piastra Supporto Motore	Engine Support	Support Moteur	Motorstützplatte	
4	3112170	1	Cuscinetto	Bearing	Roul. À Billes	Kugellager	
5	4612020	1	Flangia Cuscinetto	Bearing Flange	Bride Roulement	Lagerflansch	
6	2112260	3	Vite	Screw	Vis	Schraube	
7	2312090	3	Rosetta	Washer	Rondelle	Scheibe	
8	2432040	3	Dado	Nut	Ecrou	Mutter	
9	3654360	3	Molla Antivib.Zaino	Spring	Ressort	Feder	
10	2132110	6	Vite	Screw	Vis	Schraube	
11	2312130	6	Rosetta	Washer	Rondelle	Scheibe	
12	2432030	6	Dado	Nut	Ecrou	Mutter	
13	4252430	1	Corda Elastica	Elastic Cord	Corde Élastique	Elastisches Seil	







N°	Code	Q.ty	Descrizione	Description	Description	Beschreibung	Remarks
1	4250150/1	1	Ass.Testina Ingranaggi Ø26Mm	Gear Case Assy Ø26Mm	Ens.Boîte Engren. Ø26Mm	Set Zahnradgetriebe Ø26Mm	
1A	4540570	1	Carter Testina Ø26Mm	Gear Case Ø26Mm	Carter Boîte Engren.Ø26Mm	Zahnradgehäuse Ø26Mm	
2	3353100	1	Anello Seeger	Ring	Circlip	Ring	
3	3353050	1	Anello Seeger	Ring	Circlip	Ring	
4	3112200	1	Cuscinetto	Bearing	Roul. À Billes	Kugellager	
5	3112190	1	Cuscinetto	Bearing	Roul. À Billes	Kugellager	
6	8180240/1	1	Ass. Ingranaggi	Gear Assy	Ens. Engrenages	Getriebeeinheit	
7	2135050	2	Vite	Screw	Vis	Schraube	
8	2653090	1	Vite	Screw	Vis	Schraube	
9	2653460	1	Vite	Screw	Vis	Schraube	
10	3112210	1	Cuscinetto	Bearing	Roul. À Billes	Kugellager	
13	3112150	1	Cuscinetto	Bearing	Roul. À Billes	Kugellager	
14	3353080	1	Anello Seeger	Ring	Circlip	Ring	
15	3121170	1	Anello Di Tenuta	Seal Ring	Anneau De Tenue	Dichtring	
16	3641700/1	1	Collare	Collar	Collier	Stellring	
17	3641640	1	Ghiera Superiore	Upper Ring Nut	Bague Supérieure	Oberer Ringbolzen	
18	3612640	1	Ghiera Inferiore	Lower Ring Nut	Bague Inférieure	Unterer Ringbolzen	
19	4560610	1	Coppa Fissa	Stabilizer	Stabilisateur	Stabilisator	
20	2321230	1	Rosetta	Washer	Rondelle	Scheibe	
21	2653170	1	Vite	Screw	Vis	Schraube	
22	4611880	1	Disco 4 Punte 25 Cm	4 Teeth Disc 25 Cm	Lame À 4 Dents 25 Cm	Scheibe / 4 Zähne 25 Cm	
31	4353240/1	1	Testina 2 Filr Tap & Go	2 Hedges Nylon Head	Tête À 2 Fils Nylon	2 Drahtscheibe	
32	3643430	2	Boccole Passafilo	Passafilobushing	Passe-Fils	Büchse	
33	3654590	1	Molla	Spring	Ressort	Feder	
41	4353000	1	Testina Tap & Go Profi	2 Hedges Nylon Head Profi	Tête À 2 Fils Nylon Profi	2 Drahtscheibe Profi	
42	3643420	2	Boccole Passafilo	Passafilobushing	Passe-Fils	Büchse	
43	3654540	1	Molla	Spring	Ressort	Feder	
44	4563990	1	Coperchio Inferiore	Bottom Cover	Couvercle Inférieur	Unterer Deckel	
45	3614950	1	Piattello	Plate	Tournette	Teller	

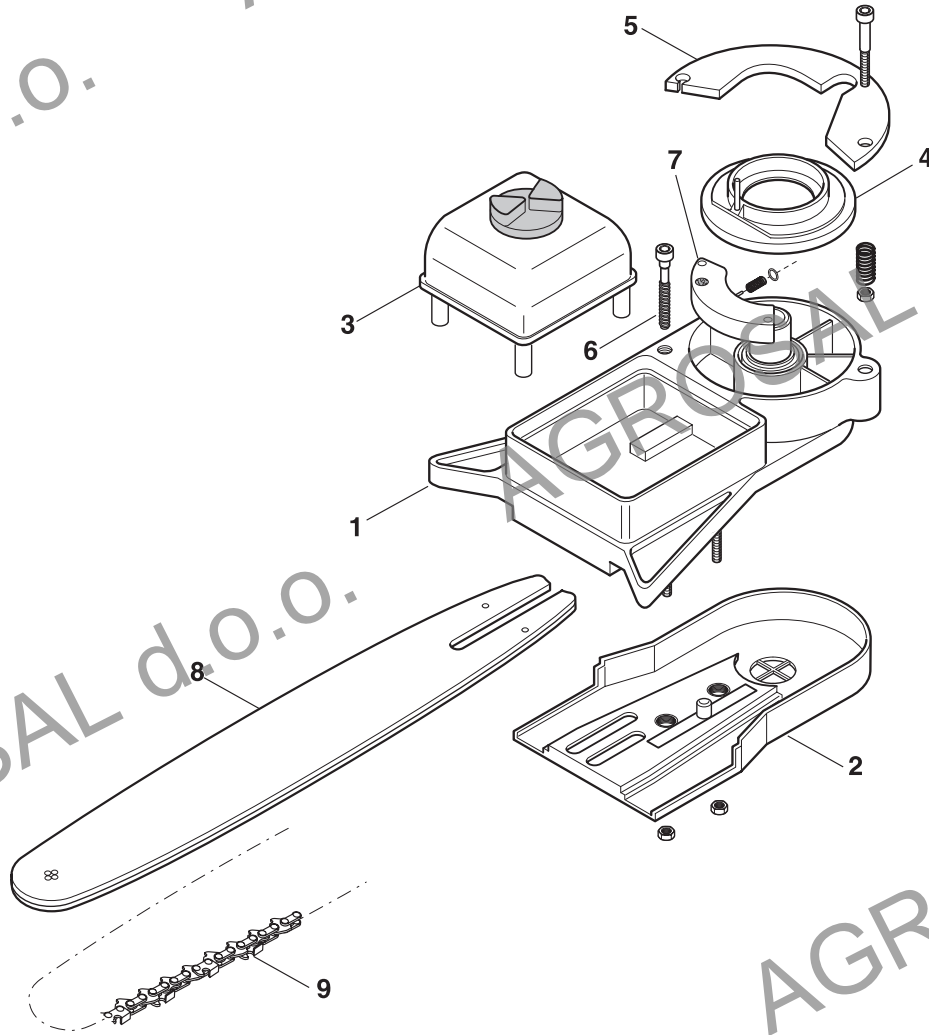




GLOBAL GARDEN PRODUCTS

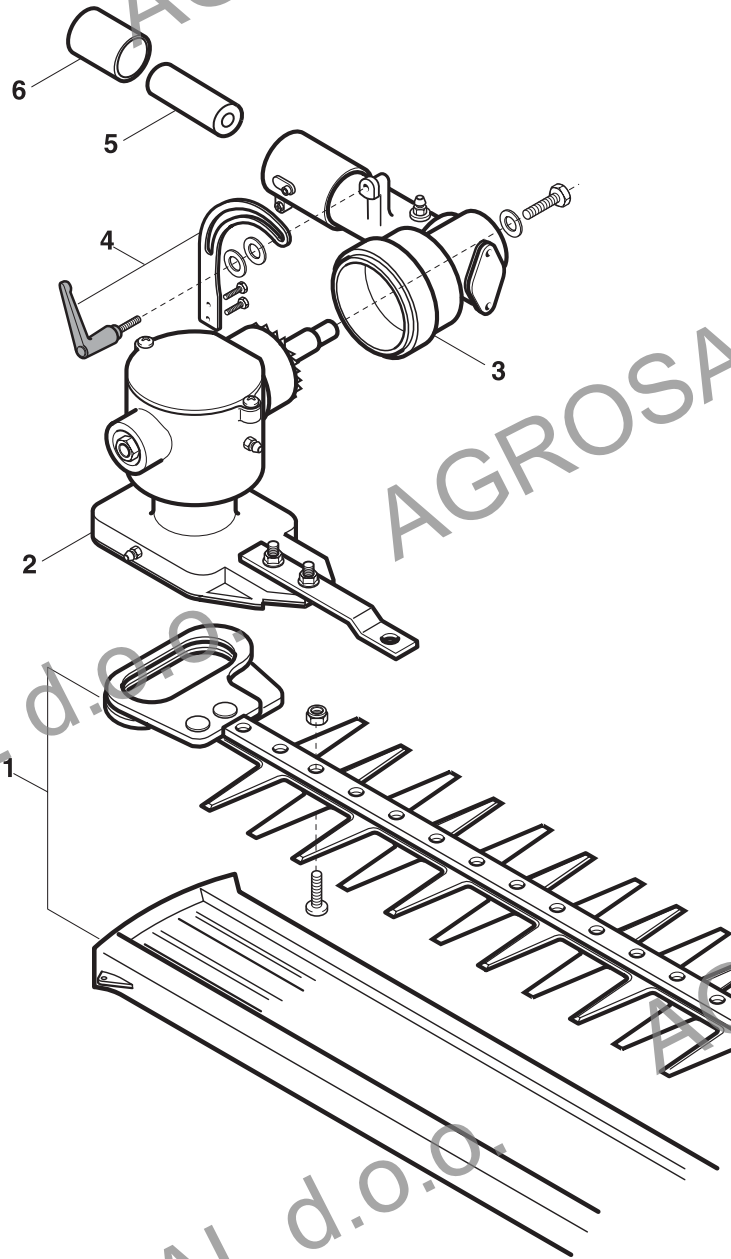
## Star 45DP - Star 45FP - Star 55DP - Star 55FP

N°	Code	Q.ty	Descrizione	Description	Description	Beschreibung	Remarks
1	4250152/1	1	Ass.Testina Ø28Mm	Gear Case Assy Ø28	Ens.Boîte Engren. Ø28	Set Zahnradgetriebe Ø28	
1A	4540571	1	Carter Testina Ø28Mm	Gear Case Ø28	Carter Boîte Engren. Ø28	Zahnradgehäuse Ø28	
2	3353100	1	Anello Seeger	Ring	Circlip	Ring	
3	3353050	1	Anello Seeger	Ring	Circlip	Ring	
4	3112200	1	Cuscinetto	Bearing	Roul. À Billes	Kugellager	
5	3112190	1	Cuscinetto	Bearing	Roul. À Billes	Kugellager	
6	8180530/1	1	Ass. Ingranaggi	Gear Assy	Ens.Engrenages	Getriebeeinheit	
7	2133050	2	Vite	Screw	Vis	Schraube	
8	2653090	1	Vite	Screw	Vis	Schraube	
9	2653460	1	Vite	Screw	Vis	Schraube	
10	3112210	1	Cuscinetto	Bearing	Roul. À Billes	Kugellager	
13	3112150	1	Cuscinetto	Bearing	Roul. À Billes	Kugellager	
14	3353080	1	Anello Seeger	Ring	Circlip	Ring	
15	3121170	1	Anello Di Tenuta	Seal Ring	Anneau De Tenue	Dichtring	
16	3641700/1	1	Collare	Collar	Collier	Stellring	
17	3641640	1	Ghiera Superiore	Upper Ring Nut	Bague Superieure	Oberer Ringbolzen	
18	3612640	1	Ghiera Inferiore	Lower Ring Nut	Bague Inferieure	Unterer Ringbolzen	
19	4560610	1	Coppa Fissa	Stabilizer	Stabilisateur	Stabilisator	
20	2321230	1	Rosetta	Washer	Rondelle	Scheibe	
21	2653170	1	Vite	Screw	Vis	Schraube	
22	4611880	1	Disco 4 Punte 25 Cm	4 Teeth Disc 25 Cm	Lame À 4 Dents 25 Cm	Scheibe / 4 Zähne 25 Cm	
31	4353240/1	1	Testina 2 Fili Tap & Go	2 Hedges Nylon Head	Tête À 2 Fils Nylon	2 Drahtscheibe	
32	3643430	2	Boccole Passafilo	Passafilobushing	Passe-Fils	Büchse	
33	3654590	1	Molla	Spring	Ressort	Feder	
41	4353000	1	Testina Tap & Go Profi	2 Hedges Nylon Head Profi	Tête À 2 Fils Nylon Profi	2 Drahtscheibe Profi	
42	3643420	2	Boccole Passafilo	Passafilobushing	Passe-Fils	Büchse	
43	3654540	1	Molla	Spring	Ressort	Feder	
44	4563990	1	Coperchio Inferiore	Bottom Cover	Couvercle Inferieur	Unterer Deckel	
45	3614950	1	Piattello	Plate	Tournette	Teller	





N°	Code	Q.ty	Descrizione	Description	Description	Beschreibung	Remarks
1	6910501	1	Ass. Carter Trasmissione Ø26	Transmission Case Ass.Y Ø26	Ens.Carter Transmission Ø26	Antriebsgeh. Ø26	
2	6910502	1	Carter Catena	Chain housing	Carter Chaîne	Kettengehäuse	
3	6910503	1	Serbatoio Olio	Oil Tank	Réservoir Huile	Öltank	
4	6910505	1	Coperchio Ø26	Cover Ø26	Couvercle Ø26	Abdeckung Ø26	
5	6910506	1	Flangia	Flange	Bride	Flansch	
6	6910507	1	Vite	Screw	Vis	Schraube	
7	6910508	1	Ass. Pompa Olio	Oil Pump Ass.Y	Pompe À Huile	Set Ölpumpe	
8	4112610	1	Barra 10"	Guide Bar 10"	Guide 10"	Stange 10"	10" 3/8" .042" / 1.1 mm
9	4113551	1	Catena 10"	Chain 10"	Chaîne 10"	Kette 10"	10" 3/8" .042" / 1.1 mm - 38E





N°	Code	Q.ty	Descrizione	Description	Description	Beschreibung	Remarks
1	6910520	1	Ass. Lame	Blade Ass.Y	Ens.Lame	Klingen	
2	6910521	1	Ass. Carter Trasmissione	Transmission Shaft Ass.Y	Ens.Carter Transmission	Antriebsgeh.	
3	6910524	1	Ass. Testina	Gear Case Ass.Y	Ens.Boîte Engrenage	Antriebsgehäuse	
4	6910523	1	Leva+Staffa Di Regolazione	Lever+Regulation Rod	Levier+Barre De Réglage	Hebel+Regelungsbügel	
5	4252640	1	Manicotto	Coupling	Manchon	Muffe	
6	2382430	1	Distanziale	Spacer	Entretoise	Entfernungsstück	