

AGROSAL d.o.o.


Kawasaki
TJ 27



AGROSAL d.o.o.

Gregorčičeva ulica 38, 5270 Ajdovščina
telefon: 05 368 90 96, fax: 05 368 90 97
e-mail: info@agrosal.si, www.agrosal.si

This catalog covers:
TJ027E-□C00

This fig. covers:
TITLE

PARTS CATALOG

2-STROKE ENGINE

TJ027E

PRODUCT CODE	NOTE
TJ027E-GC00	BRUSH-CUTTER

This catalog covers:
TJ027E-□C00

PARTS CATALOG INTRODUCTION

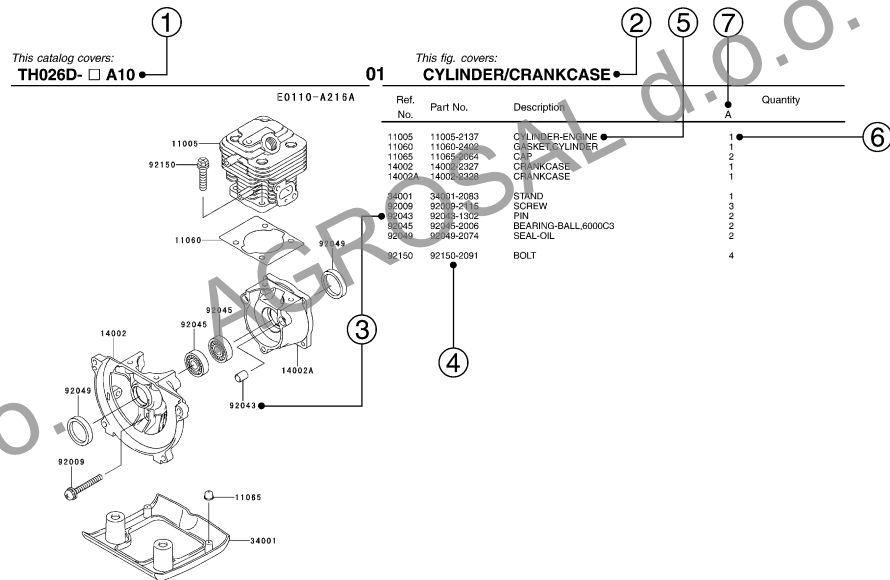
This parts catalog lists parts and sub-assemblies provided as service parts.

When it becomes necessary to replace parts, always use KAWASAKI GENUINE PARTS which have passed strict inspection which guarantees quality and performance.

1. HOW TO ORDER PARTS

- When ordering the parts, be sure to use the parts catalog corresponding to the product code. Check the product revision codes on the product and the catalog.
 Product Code (example) : FA130D-AA00
 Product Revision Code
- Specify the part code (all digits) exactly as listed in this catalog on your parts order.
- The parts not shown in the illustrations of this catalog are not sold separately; only the complete units or next higher assemblies illustrated are supplied as the service parts.

2. EXPLANATION OF PARTS CATALOG FORMAT



1) Product Code

This code describes the product code covered by this catalog. The product revision code, which is a part of the product code, is omitted.

2) Part Group Title

This title is the representative name for the group of parts illustrated on the page.

3) Reference Number

The reference numbers are shown on the illustration and the list as the link between them.

This fig. covers:

PARTS LIST INFORMATION

4) Part Number

This is the key of your parts ordering.

Three kinds of part number are used in this catalog.

a. Structure 1

□□□□□□-□□□□-□□
 □□□□□□-□□□□□□

Part Revision Code

b. Structure 2

□□□□□□-□□□□□□-□□

Color Code for Painted Part

c. Standard Hardware Number

(for bolts, nuts, washer, or the like)

□□□□□□□□

Size Code

Material and Surface Treatment Code

Item Code

5) Description and Additional Information

The part name, the location, the size, and the serial number as additional information, etc. are described here. Use them to find out and check the part required.

When a part number is changed without change of the product revision code and the changed parts are not interchangeable, the serial number of the product is noted as follows;

(FA130 - 100001) : Affected units are from beginning of the product of the product code up to and including this serial number.

(FA130 - 100002 -) : Affected units are from this serial number and above.

(FA130 - 100002 - FA130 - 110001) : Affected units are in this serial number range.

6) Quantity

The figure shows quantity of the part required at the indicated position on the illustration and for the specified product revision code.

The asterisk (*) on this column means the part can be used as the substitute on the product and is supplied until the stock is exhausted.

Note:Some small parts will be supplied by units.

Example: If six (6) bolts are ordered and the minimum quantity per unit is five (5), two (2), units of the bolt will be delivered.

7) Product Revision Code

This Code indicates an important change which affects the service parts interchangeability.

3. ABBREVIATIONS

#.....Number	FR.....Front	RH.....Right Hand
&.....And	G.....Gram	RPM.....Revolutions Per Minute
(+).....Plus	HEX.....Hexagonal	RR.....Rear
(-).....Minus	ID=.....Inside Diameter	STD.....Standard
2ND.....Second	IN.....Inch	T.....Teeth
3RD.....Third	L=.....Length	T=.....Thickness
4TH.....Fourth	LH.....Left Hand	U/S.....Under Size
A.....Ampere	LWR.....Lower	UPP.....Upper
AR.....As Required	MM.....Millimeter	V.....Volt
ASSY.....Assembly	O/S.....Over Size	W.....Watt
CNT.....Center	OD=.....Outside Diameter	
COMP.....Complete	REF.....Reference	

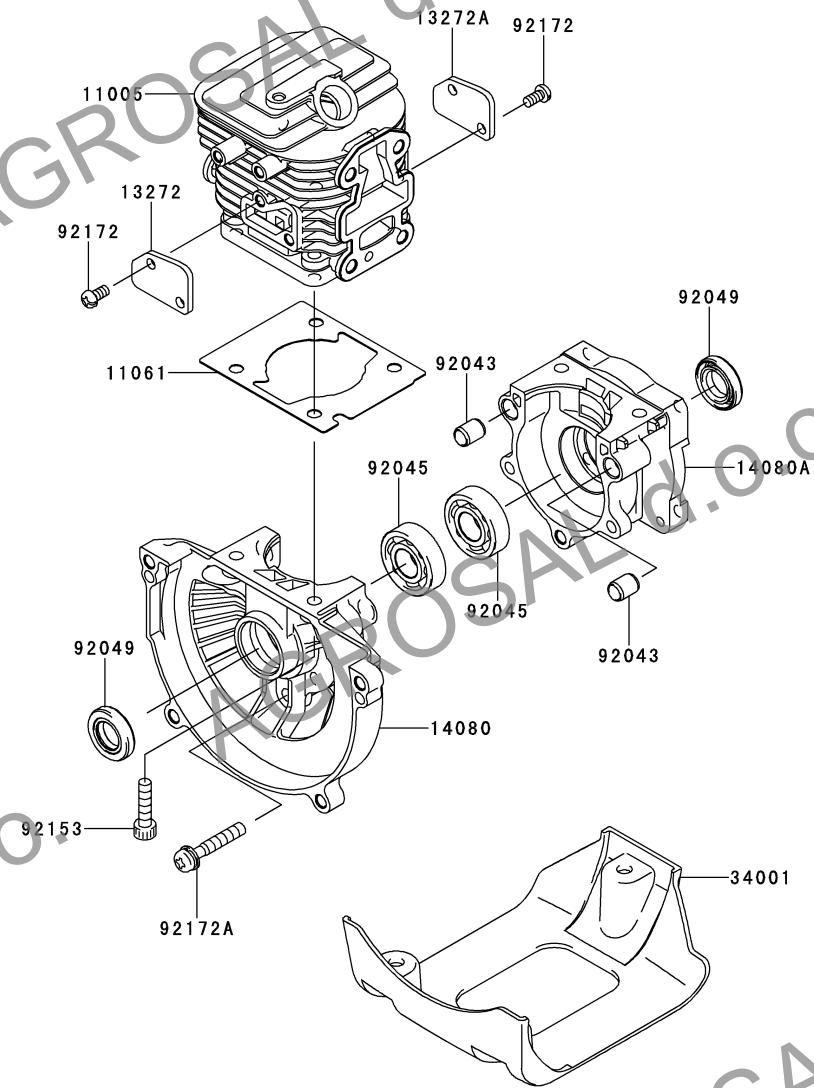
This catalog covers:

TJ027E- □ C00

This fig. covers:

01 CYLINDER/CRANKCASE

E0110-A641A



Ref. No.	Part No.	Description	Quantity
11005	11005-2163	CYLINDER-ENGINE	1
11061	11061-2203	GASKET,CYLINDER	1
13272	13272-2013	PLATE	1
13272A	13272-2031	PLATE	1
14080	14080-2068	CRANKCASE	1
14080A	14080-2069	CRANKCASE	1
34001	34001-2091	STAND	1
92043	92043-2257	PIN	2
92045	92045-2278	BEARING-BALL,6001C3	2
92049	92049-2269	SEAL-OIL,12X22X4.5	2
92153	92153-2136	BOLT,SOCKET,5X20	4
92172	92172-2103	SCREW,4X8	4
92172A	92172-2104	SCREW,5X30	3

This catalog covers:

TJ027E- □ C00

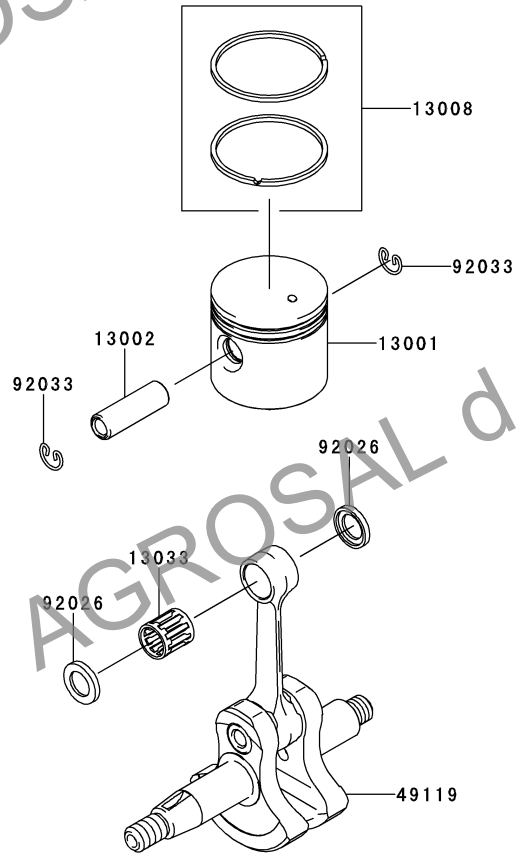
02

This fig. covers:

PISTON/CRANKSHAFT

E0120-A409A

Ref. No.	Part No.	Description	Quantity
13001	13001-2174	PISTON-ENGINE	1
13002	13002-2100	PIN-PISTON	1
13008	13008-6071	RING-SET-PISTON	1
13033	13033-2064	BEARING-SMALL END	1
49119	49119-2242	CRANKSHAFT-ASSY	1
92026	92026-2356	SPACER	2
92033	92033-2198	RING-SNAP	2



This catalog covers:

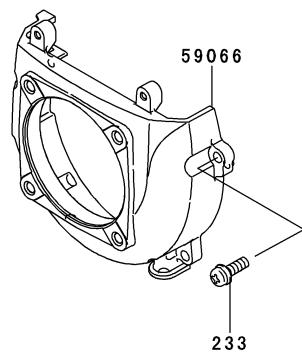
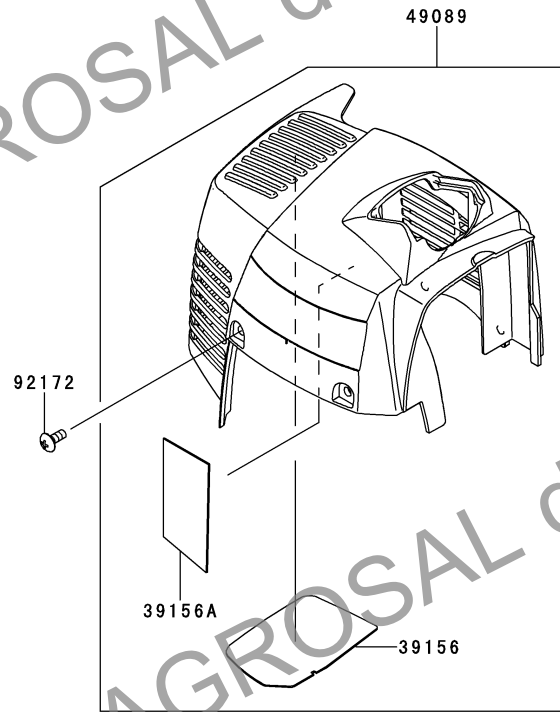
TJ027E- □ C00

03

This fig. covers:

COOLING-EQUIPMENT

E0150-A888B



Ref. No.	Part No.	Description	Quantity
39156	39156-2084	PAD	1
39156A	39156-2093	PAD	1
49089	49089-2717	SHROUD-ENGINE	1
59066	59066-2796	HOUSING-FAN	1
92172	92172-2060	SCREW 4X10	2
233	233AA0516	SCREW-PAN-WP+,-5X16	4

This catalog covers:

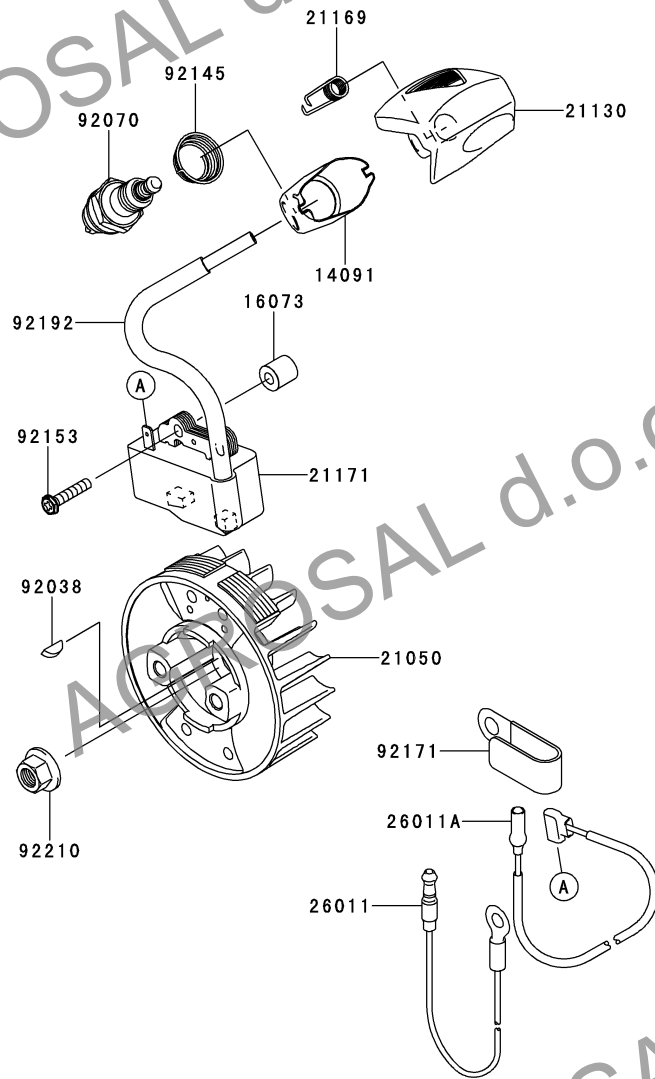
TJ027E- □ C00

04

This fig. covers:

ELECTRIC-EQUIPMENT

E0160-B461A



Ref. No.	Part No.	Description	Quantity
14091	14091-2147	COVER	1
16073	16073-2239	INSULATOR	2
21050	21050-2329	FLYWHEEL	1
21130	21130-2071	CAP-SPARK PLUG	1
21169	21169-2078	TERMINAL	1
21171	21171-2286	COIL ASSY-IGNITION	1
26011	26011-2113	WIRE-LEAD	1
26011A	26011-2388	WIRE-LEAD,L=230	1
92038	92038-2106	KEY	1
92070	92070-2107	PLUG-SPARK,BPMR7A(NGK),SOLID	1
92145	92145-2193	SPRING	1
92153	92153-2138	BOLT,4X20	2
92171	92171-2067	CLAMP	1
92192	92192-2135	TUBE	1
92210	92210-0737	NUT,8MM	1

This catalog covers:

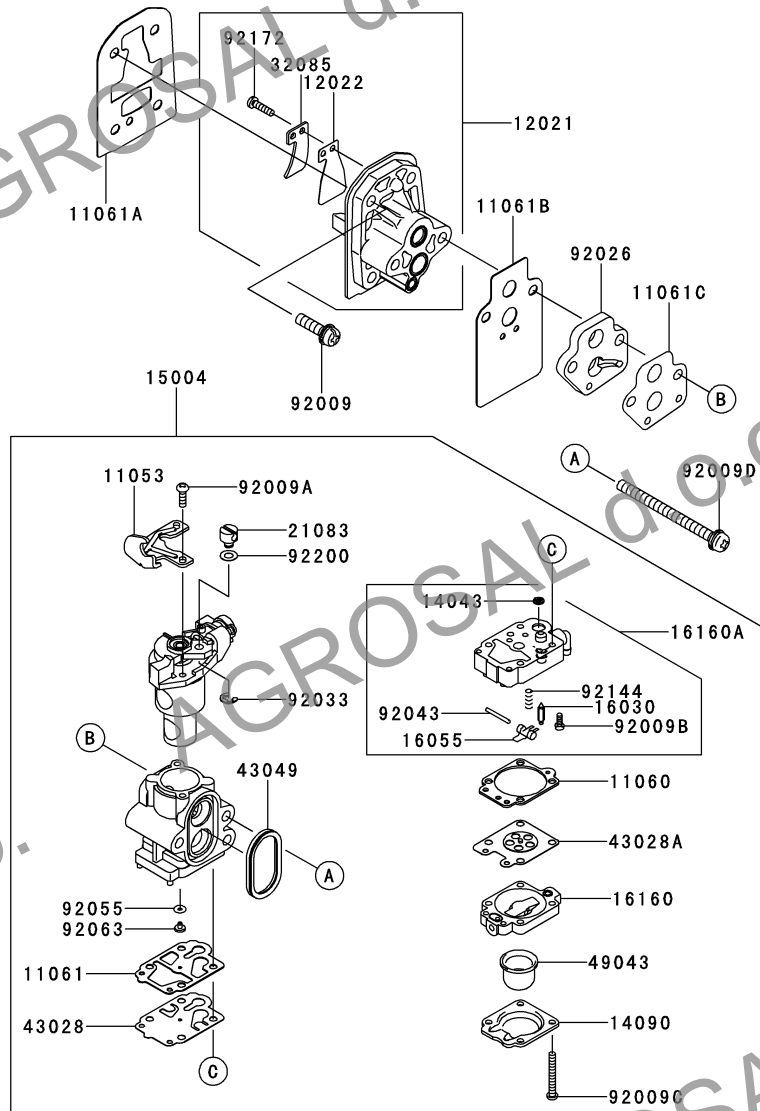
TJ027E- □ C00

05

This fig. covers:

CARBURETOR

E0180-A879A



Ref. No.	Part No.	Description	Quantity
11053	11053-2066	BRACKET	1
11060	11060-2111	GASKET	1
11061	11061-2054	GASKET	1
11061A	11061-2171	GASKET,CYLINDER-INSULATOR	1
11061B	11061-2184	GASKET,CARBURETOR-INSULATOR	1
11061C	11061-2225	GASKET,CARBURETOR/SPACER	1
12021	12021-2054	VALVE-ASSY-REED	1
12022	12022-2060	VALVE-REED	1
14043	14043-2051	FILTER	1
14090	14090-2017	COVER,PRIMER PUMP	1
15004	15004-2094	CARBURETOR-ASSY	1
16030	16030-2078	VALVE-FLOAT	1
16055	16055-2051	LEVER	1
16160	16160-2089	BODY	1
16160A	16160-2141	BODY	1
21083	21083-2073	ARM	1
32085	32085-2106	STOPPER	1
43028	43028-2067	DIAPHRAGM	1
43028A	43028-2096	DIAPHRAGM	1
43049	43049-2062	PACKING	1
49043	49043-2067	PUMP-PRIMING	1
92009	92009-2249	SCREW,5X20	4
92009A	92009-2277	SCREW	2
92009B	92009-2336	SCREW	1
92009C	92009-2337	SCREW	4
92009D	92009-2397	SCREW,5X65	2
92026	92026-2366	SPACER	1
92033	92033-2078	RING-SNAP	1
92043	92043-2094	PIN	1
92055	92055-2147	RING-O	1
92063	92063-2479	JET-MAIN,#36.5	1
92144	92144-2308	SPRING	1
92172	92172-2091	SCREW,3X12	1
92200	92200-2074	WASHER	1

This catalog covers:

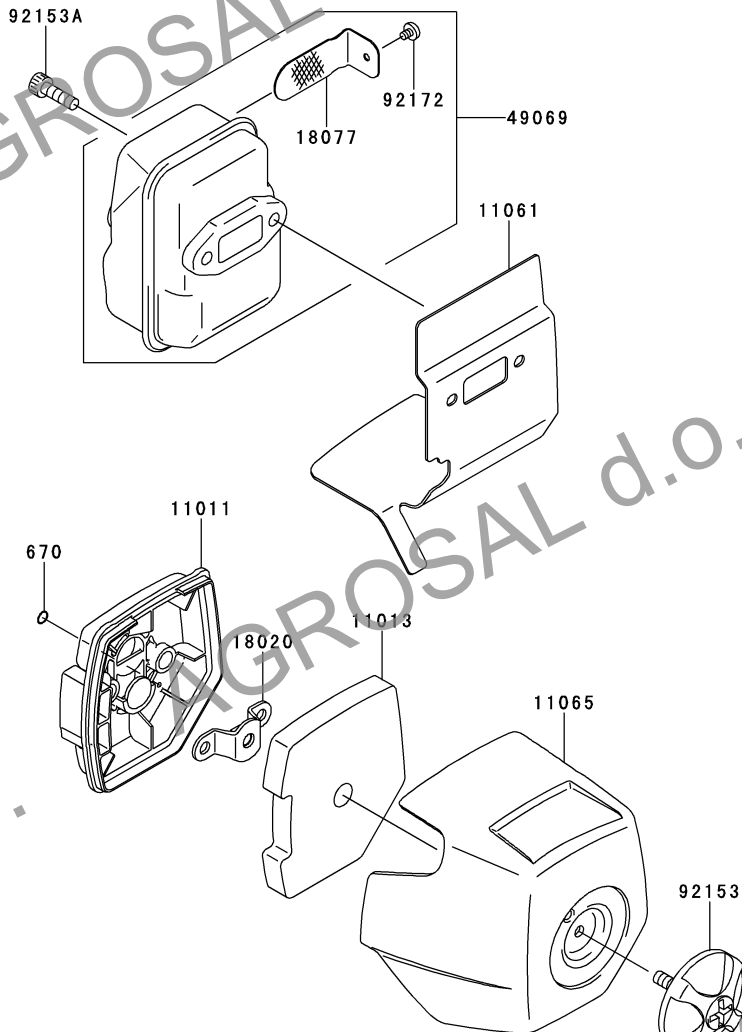
TJ027E- □ C00

06

This fig. covers:

AIR-FILTER/MUFFLER

E0190-B222A



Ref. No.	Part No.	Description	Quantity
11011	11011-2385	CASE-AIR FILTER	1
11013	11013-2224	ELEMENT-AIR FILTER	1
11061	11061-2204	GASKET,MUFFLER	1
11065	11065-2138	CAP	1
18020	18020-2091	BAFFLE	1
18077	18077-2140	ARRESTER-SPARK	1
49069	49069-2440	MUFFLER-ASSY	1
92153	92153-2128	BOLT	1
92153A	92153-2137	BOLT,SOCKET,5X16	2
92172	92172-2112	SCREW	1
670	670B1505	O RING,5MM	1

This catalog covers:

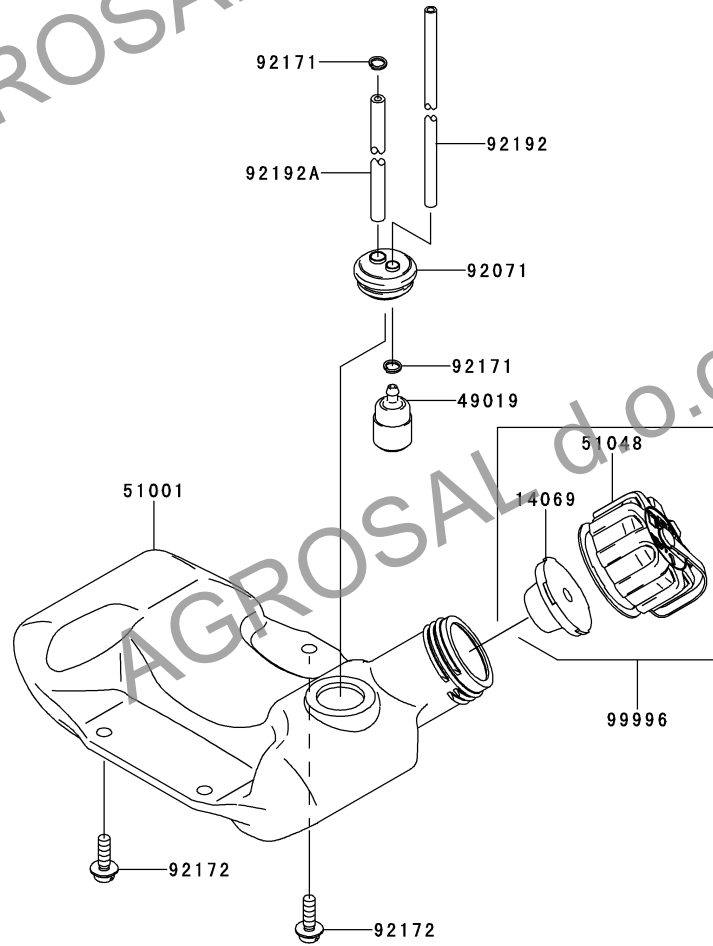
TJ027E- □ C00

07

This fig. covers:

FUEL-TANK/FUEL-VALVE

E0200-A629C



Ref. No.	Part No.	Description	Quantity
14069	14069-2088	BREATHER	1
49019	49019-2114	FILTER-FUEL	1
51001	51001-2323	TANK-COMP-FUEL	1
51048	51048-2083	CAP-ASSY-TANK	1
92071	92071-2142	GROMMET,FUEL TANK	1
92171	92171-2073	CLAMP	2
92172	92172-2080	SCREW,5X18	3
92192	92192-2130	TUBE,3X5X174	1
92192A	92192-2152	TUBE,3X6X80	1
99996	99996-6089	CAP-TANK & BREATHER,ASSY	1

This catalog covers:

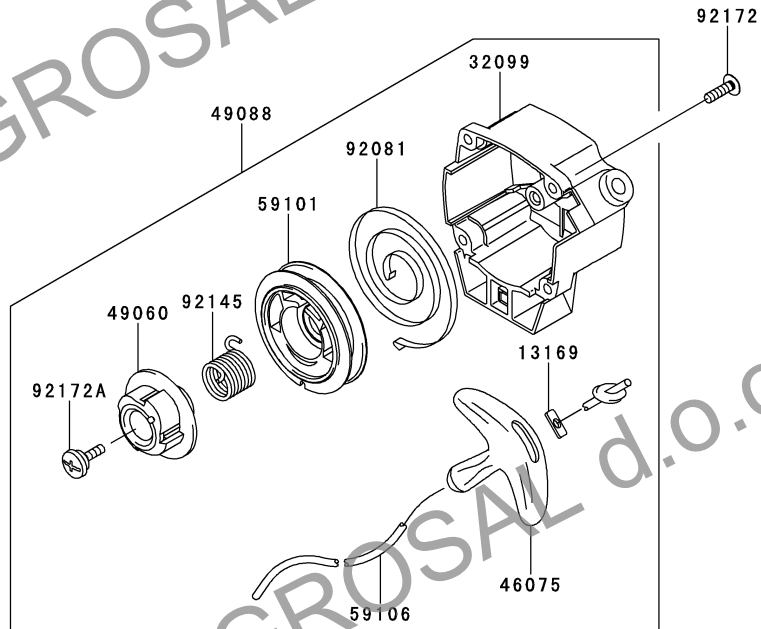
TJ027E- □ C00

08

This fig. covers:

STARTER

E0210-A459A



Ref. No.	Part No.	Description	Quantity
13165	13165-2100	PAWL	2
13169	13169-2386	PLATE, RECOIL STARTER	1
32099	32099-2432	CASE, RECOIL STARTER	1
46075	46075-2161	GRIP, STARTER-RECOIL	1
49060	49060-2064	CAM	1
49080	49080-2195	PULLEY-STARTING	1
49088	49088-2587	STARTER-RECOIL	1
59101	59101-2125	REEL, STARTER-RECOIL	1
59106	59106-2168	ROPE, 3X700	1
92033	92033-2010	RING-SNAP	2
92081	92081-2238	SPRING, RECOIL	1
92081A	92081-2253	SPRING	2
92145	92145-2128	SPRING, RECOIL	1
92172	92172-2061	SCREW, 4X14	4
92172A	92172-2065	SCREW	1

This catalog covers:

TJ027E- □ C00

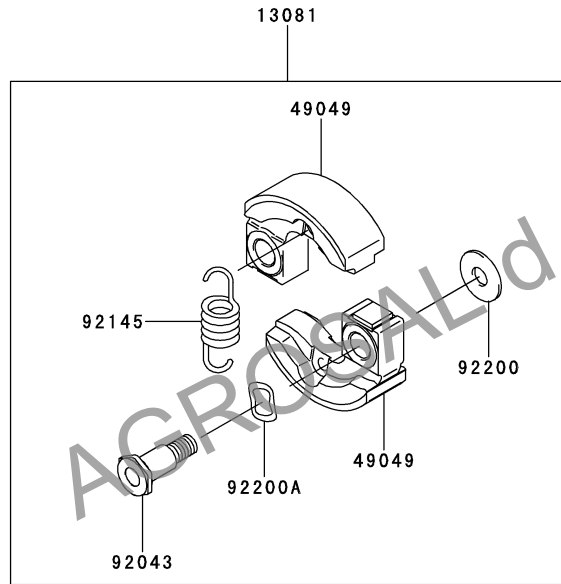
09

This fig. covers:

P.T.O-EQUIPMENT

E0220-A039A

Ref. No.	Part No.	Description	Quantity
13081	13081-2233	CLUTCH-ASSY	1
49049	49049-2102	SHOE-CLUTCH	2
92043	92043-2243	PIN	2
92145	92145-2129	SPRING	1
92200	92200-2145	WASHER 6X16X1	2
92200A	92200-2146	WASHER	2



This catalog covers:

TJ027E- □ C00

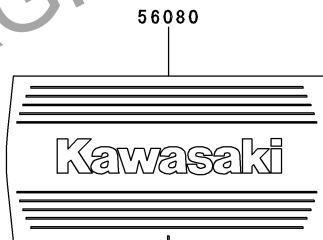
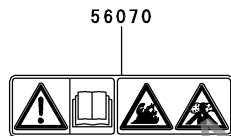
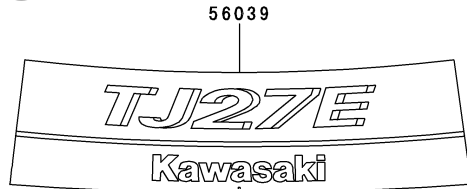
10

This fig. covers:

LABEL

F0290-B657A

Ref. No.	Part No.	Description	Quantity
56039	56039-0727	LABEL-PRODUCT	1
56070	56070-2020	LABEL-WARNING	1
56080	56080-0723	LABEL-BRAND	1



This catalog covers:

TJ027E- **C00**

This fig. covers:

PART NAME INDEX

AIR-FILTER/MUFFLER.....	06
CARBURETOR.....	05
COOLING-EQUIPMENT.....	03
CYLINDER/CRANKCASE.....	01
ELECTRIC-EQUIPMENT.....	04
FUEL-TANK/FUEL-VALVE.....	07
LABEL.....	10
P.T.O-EQUIPMENT.....	09
PISTON/CRANKSHAFT.....	02
STARTER.....	08

This catalog covers:

TJ027E- C00

This fig. covers:

NUMERICAL PARTS INDEX

Part No.	Fig No.	Part No.	Fig No.	Part No.	Fig No.	Part No.	Fig No.	Part No.	Fig No.
11005-2163.....	01	49088-2587.....	08						
11011-2385.....	06	49089-2717.....	03						
11013-2224.....	06	49119-2242.....	02						
11053-2066.....	05	51001-2323.....	07						
11060-2111.....	05	51048-2083.....	07						
11061-2054.....	05	56039-0727.....	10						
11061-2171.....	05	56070-2020.....	10						
11061-2184.....	05	56080-0723.....	10						
11061-2203.....	01	59066-2796.....	03						
11061-2204.....	06	59101-2125.....	08						
11061-2225.....	05	59106-2168.....	08						
11065-2138.....	06	670B1505.....	06						
12021-2054.....	05	92009-2249.....	05						
12022-2060.....	05	92009-2277.....	05						
13001-2174.....	02	92009-2336.....	05						
13002-2100.....	02	92009-2337.....	05						
13008-6071.....	02	92009-2397.....	05						
13033-2064.....	02	92026-2356.....	02						
13081-2233.....	09	92026-2366.....	05						
13165-2100.....	08	92033-2010.....	08						
13169-2386.....	08	92033-2078.....	05						
13272-2013.....	01	92033-2198.....	02						
13272-2031.....	01	92038-2106.....	04						
14043-2051.....	05	92043-2094.....	05						
14069-2088.....	07	92043-2243.....	09						
14080-2068.....	01	92043-2257.....	01						
14080-2069.....	01	92045-2273.....	01						
14090-2017.....	05	92049-2269.....	01						
14091-2147.....	04	92055-2147.....	05						
15004-2094.....	05	92063-2479.....	05						
16030-2078.....	05	92070-2107.....	04						
16055-2051.....	05	92071-2142.....	07						
16073-2239.....	04	92081-2238.....	08						
16160-2089.....	05	92081-2253.....	08						
16160-2141.....	05	92144-2308.....	05						
18020-2091.....	06	92145-2128.....	08						
18077-2140.....	06	92145-2129.....	09						
21050-2329.....	04	92145-2193.....	04						
21083-2073.....	05	92153-2128.....	06						
21130-2071.....	04	92153-2136.....	01						
21169-2078.....	04	92153-2137.....	06						
21171-2286.....	04	92153-2138.....	04						
233AA0516.....	03	92171-2067.....	04						
26011-2113.....	04	92171-2073.....	07						
26011-2388.....	04	92172-2060.....	03						
32085-2106.....	05	92172-2061.....	08						
32099-2432.....	08	92172-2065.....	08						
34001-2091.....	01	92172-2080.....	07						
39156-2084.....	03	92172-2091.....	05						
39156-2093.....	03	92172-2103.....	01						
43028-2067.....	05	92172-2104.....	01						
43028-2096.....	05	92172-2112.....	06						
43049-2062.....	05	92192-2130.....	07						
46075-2161.....	08	92192-2135.....	04						
49019-2114.....	07	92192-2152.....	07						
49043-2067.....	05	92200-2074.....	05						
49049-2102.....	09	92200-2143.....	09						
49060-2064.....	08	92200-2146.....	09						
49069-2440.....	06	92210-0737.....	04						
49080-2195.....	08	99996-6089.....	07						