

AGROSAL d.o.o.

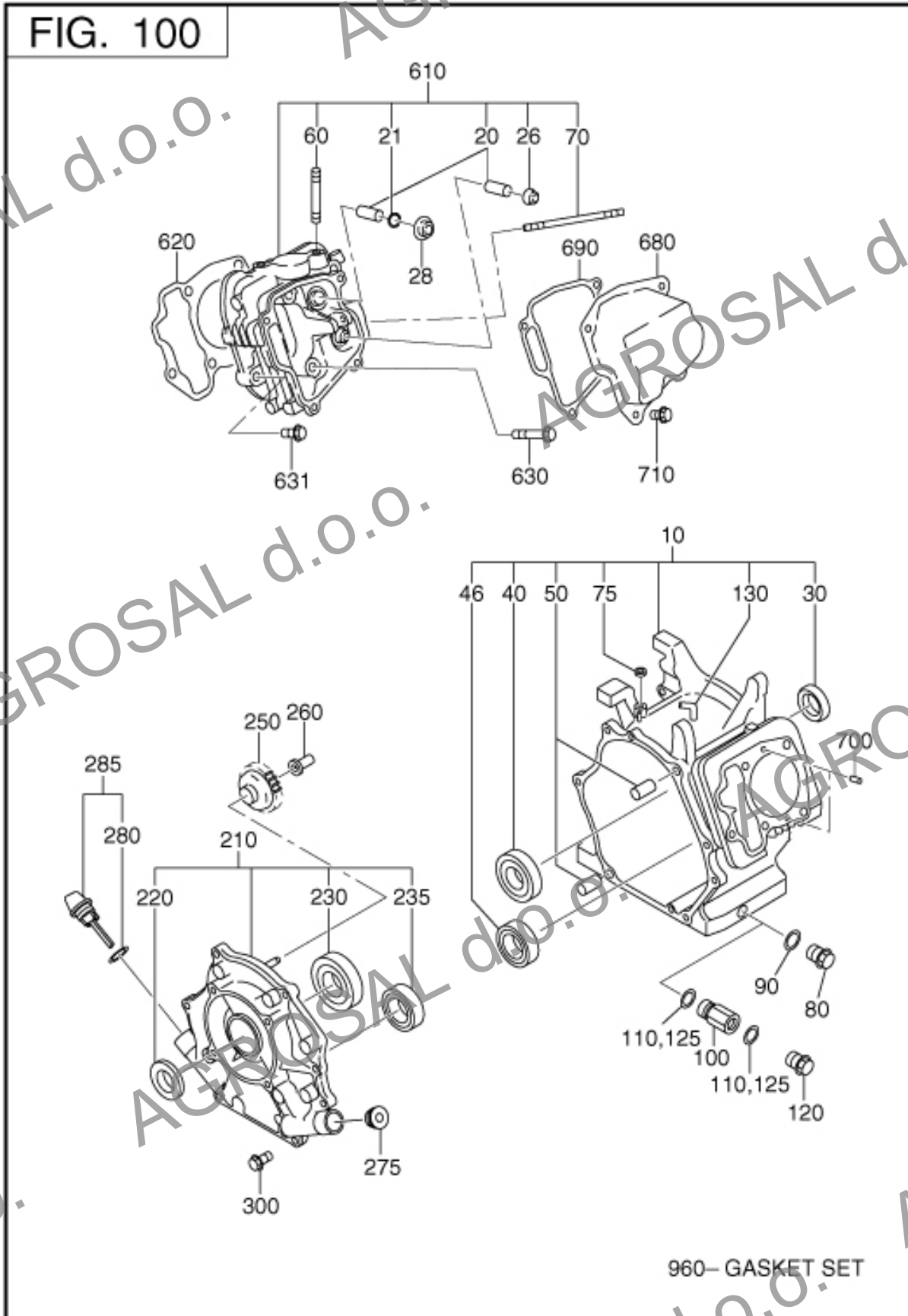
Robin
SUBARU
EX 35



AGROSAL d.o.o.

Gregorčičeva ulica 38, 5270 Ajdovščina
telefon: 05 368 90 96, fax: 05 368 90 97
e-mail: info@agrosal.si, www.agrosal.si

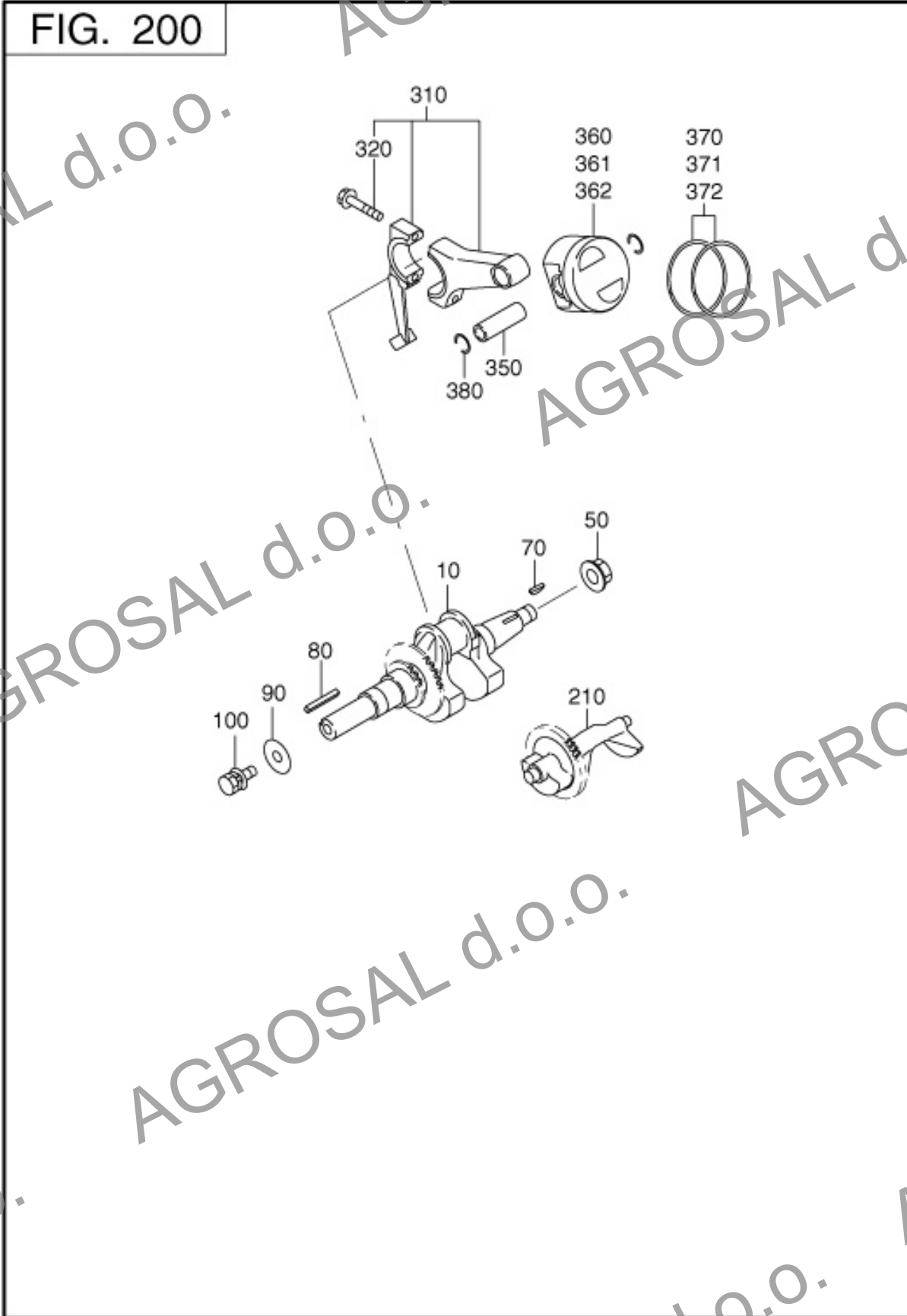
1 CRANK CASE



REF.	PART NUMBER	PART NAME	CODE NO.	QTY	REMARKS	INTERCHANGE
10	20E-10101-21	CRANK CASE CP	9025-	1		
	20E-10101-11	CRANK CASE CP	8188-9024	1		20E-10101-21
	20E-10101-01	CRANK CASE CP	-8187	1		20E-10101-11
20	20B-14202-03	VALVE GUIDE	-	2		
21	056-51000-50	CLIP	-	1	10. 7DX0. 9D	
26	132-11AA1-10	SEAL-EXH VALVE	8157-	1		
	132-07AA0-50	SEAL-INT VALVE	-8156	1		
28	263-35341-03	RETAINER PLATE	-	1	11DX17. 3DX27DX4. 7H	
30	044-03500-91	OIL SEAL	8612-	1	35DX48DX8B	
	044-03500-90	OIL SEAL	-8611	1	35DX48DX8B	044-03500-91
40	X60-03502-40	BALL BEARING	8612-	1		
	060-03502-40	BALL BEARING	-8611	1		X60-03502-40
46	X60-01500-11	BALL BEARING	-	1	15DX35DX11B	
50	277-15011-03	PIPE KNOCK	-	2	10. 3DX8. 5DX14L	
60	010-50802-90	STUD	-	2	M8X1. 25X30L	
70	010-50603-51	STUD	-	2	M6X1. 0X98L	
75	044-00800-10	OIL SEAL	-	1	8DX14DX4B	
80	040-11400-30	PLUG	-	2	M14X1. 5X20DX12L	
90	021-11400-20	GASKET	-	2	14. 1DX19DX2. 3T	
210	20B-11001-21	MAINBEARING COVER CP	8645-	1		
	20B-11001-11	MAINBEARING COVER CP	7762-8644	1		20B-11001-21
	20B-11001-01	HN_MAINBEARING COVER	-7761	1		20B-11001-11
220	044-03500-91	OIL SEAL	8645-	1	35DX48DX8B	
	044-03500-90	OIL SEAL	-8644	1	35DX48DX8B	044-03500-91
230	X60-03502-40	BALL BEARING	8535-	1		
	060-03502-40	BALL BEARING	-8534	1		X60-03502-40
235	X60-01500-11	BALL BEARING	-	1	15DX35DX11B	
250	20B-45003-11	GOVERNOR GEAR CP	8645-	1		
	20B-45003-01	GOVERNOR GEAR CP	-8644	1		20B-45003-11

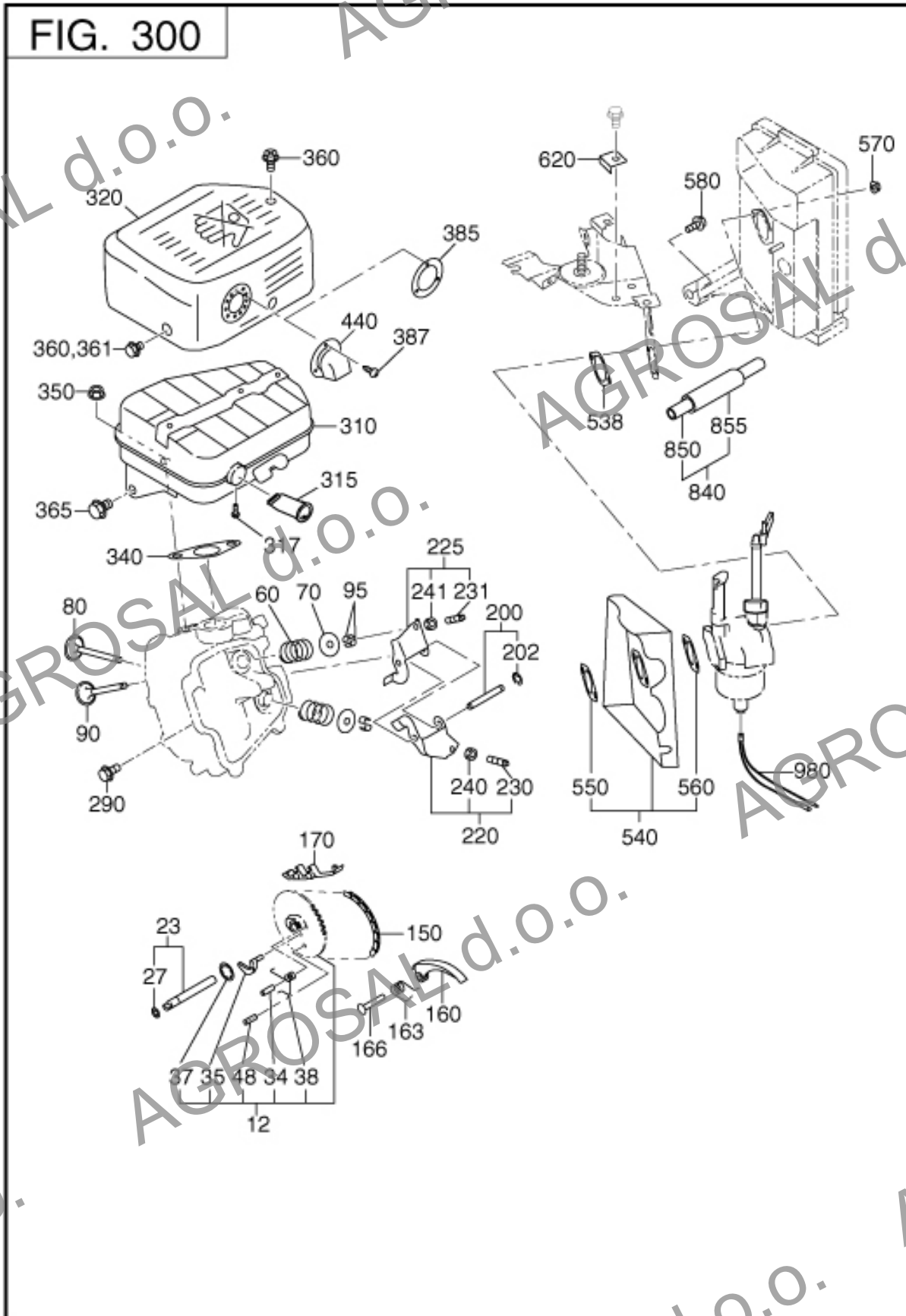
REF.	PART NUMBER	PART NAME	CODE NO.	QTY	REMARKS	INTERCHANGE
260	277-41902-01	GOVERNOR SLEEVE CP	8645-	1		
	277-41901-03	GOVERNOR SLEEVE	-8644	1		277-41902-01
280	021-32000-50	GASKET	-	2	20DX27DX1.5T RUBBER	
285	279-63601-30	OIL GAUGE AY	8157-	2		
	224-63601-01	OIL GAUGE CP	-8156	2	M22X1.5 L=64+25	
300	011-00803-40	FLANGE BOLT	-	8	M8X1.25X17DX38L	
610	20B-13001-00	CYLINDER HEAD AY	-	1		
620	20B-15001-33	GASKET(HEAD)	8961-	1	T=0.2	
	20B-15001-23	GASKET(HEAD)	8798-8960	1		20B-15001-33
	20B-15001-03	GASKET(HEAD)	-8797	1		20B-15001-13
631	001-04083-50	FLANGE BOLT	-	2	M8X1.25X16DX35L	
680	20B-15501-01	ROCKER COVER CP	-	1		
690	20B-16001-03	GASKET(ROCKER COVER)	-	1	T=0.5	
700	031-00600-10	DOWEL PIN	8157-	2	6DX14.8L	
	031-00600-20	DOWEL PIN	-8156	2	6DX14.5L	
710	011-00600-20	FLANGE BOLT	-	4	M6X1.0X14DX12L	
960	20B-99001-37	GASKET SET	-	1		

2 CRANKSHAFT,PISTON



REF.	PART NUMBER	PART NAME	CODE NO.	QTY	REMARKS	INTERCHANGE
10	20B-20201-21	CRANK SHAFT CP	9376-	1		
	20B-20201-11	CRANK SHAFT CP	8218-9375	1		20B-20201-21
	20B-20201-01	CRANK SHAFT CP	-8217	1		20B-20201-11
50	018-01800-10	FLANGE NUT	-	1	M18X1. 5X31DX14H	
70	005-32054-01	WOODRUFF KEY	-	1	5BX7. 5HX19D	
80	005-30073-51	KEY	-	1	7BX7HX35L	
90	020-01002-20	WASHER	-	1	10. 5DX40DX6T	
100	001-13102-00	BOLT AND WASHER AY	-	1	M10X1. 25X20L W/SW	
210	20B-24101-03	BALANCER SHAFT	-	1		22B-24101-03
310	20B-22503-00	CONNECTING ROD AY	9100-	1		
	20B-22501-00	CONNECTING ROD AY	-9099	1		20B-22503-00
320	001-05084-00	FLANGE BOLT	-	2	M8X1. 25X16DX40L	
350	263-23301-33	PISTON PIN	-	1	21DX15DX64. 2L	
360	20B-23401-H3	PISTON	-	1	STD	20B-23401-J3
361	20B-23403-H3	PISTON	-	1	0. 25 0. S.	20B-23403-J3
362	20B-23404-H3	PISTON	-	1	0. 50 0. S.	20B-23404-J3
370	20B-23501-07	PISTON RING SET	-	1	STD	
371	20B-23502-07	PISTON RING SET	-	1	0. 25 0. S.	
372	20B-23503-07	PISTON RING SET	-	1	0. 50 0. S.	
380	056-52100-20	CLIP	-	2	22. 1DX1. 4D	

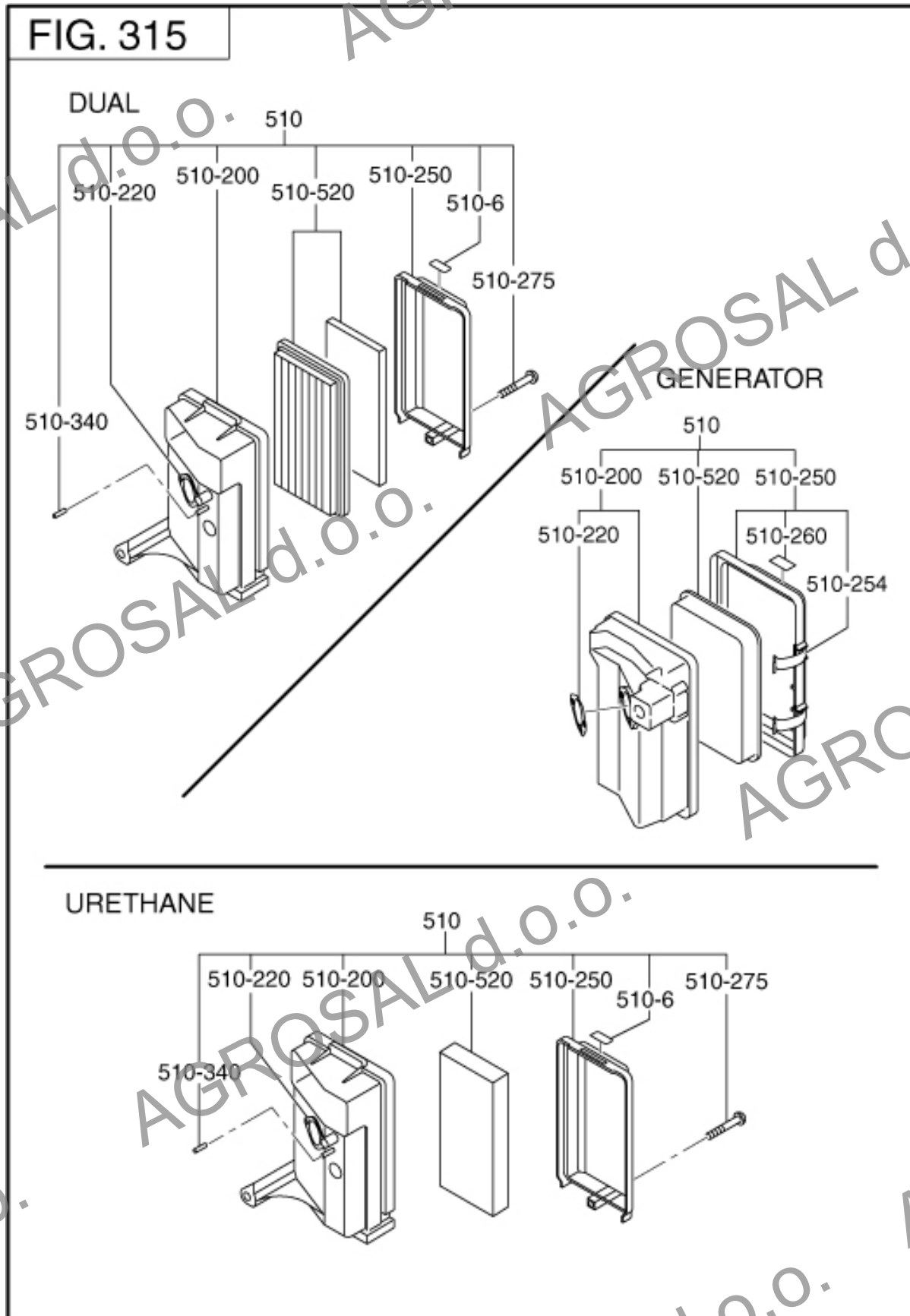
3 INTAKE,EXHAUST



REF.	PART NUMBER	PART NAME	CODE NO.	QTY	REMARKS	INTERCHANGE
12	20B-31601-20	CAMSHAFT AY	9115-	1		
	20B-31601-10	CAMSHAFT AY	8522-9114	1		20B-31601-20
	20B-31601-00	CAMSHAFT AY	-8521	1		20B-31601-10
23	20B-35101-21	PIN(CAM SHAFT)CP	8583-	1		
	20B-35101-11	PIN(CAM SHAFT)CP	-8582	1		20B-35101-21
27	024-00700-21	O-RING	8583-	1		
	024-00700-20	O-RING	-8582	1		024-00700-21
34	005-19041-00	SPRING PIN	8522-	1	4. 4DX10LX0. 8T	
	005-19041-00	SPRING PIN	-8521	2	4. 4DX10LX0. 8T	
35	277-36401-13	RELEASE LEVER	9115-	1		
	277-36401-03	RELEASE LEVER	-9114	1		
37	20B-36501-03	CLIP	-	1		
38	277-38702-03	RETURN SPRING	-	1	5. 1DX0. 6DX4. 4L N=7	
48	031-80500-20	ROLL PIN	8522-	1		
60	246-33611-03	VALVE SPRING	-	2	22. 2DX2. 9DX37L N=6. 5	
70	246-33711-13	SPRING RETAINER	-	2	7. 6DX26DX8T	
80	20B-33402-H3	INTAKE VALVE	9223-	1		
	20B-33401-H3	INTAKE VALVE	-9222	1		
90	20B-33502-H3	EXHAUST VALVE	9223-	1		
	20B-33501-H3	EXHAUST VALVE	-9222	1		
95	246-35501-03	COLLET-VALVE	-	4		
150	20B-35601-H1	TIMING CHAIN CP	-	1		
160	277-36911-03	TENTIONER	-	1		20A-36911-03
163	277-37101-03	SPRING(TENTIONER)	-	1	10DX1. 8DX14L N=4. 5	
166	277-36902-03	PIN(TENTIONER)	-	1	6DX13DX34L	
170	277-36913-13	CHAIN GUIDE	-	1		20A-36913-03
200	20B-35001-01	PIN(ROCKER)CP	-	1		
202	003-13060-00	CLIP	-	1	6DX12DX0. 8T	
220	20B-36101-00	ROCKER ARM(IN) AY	-	1		
225	20B-36102-10	ROCKER ARM(EX) AY	7823-	1		

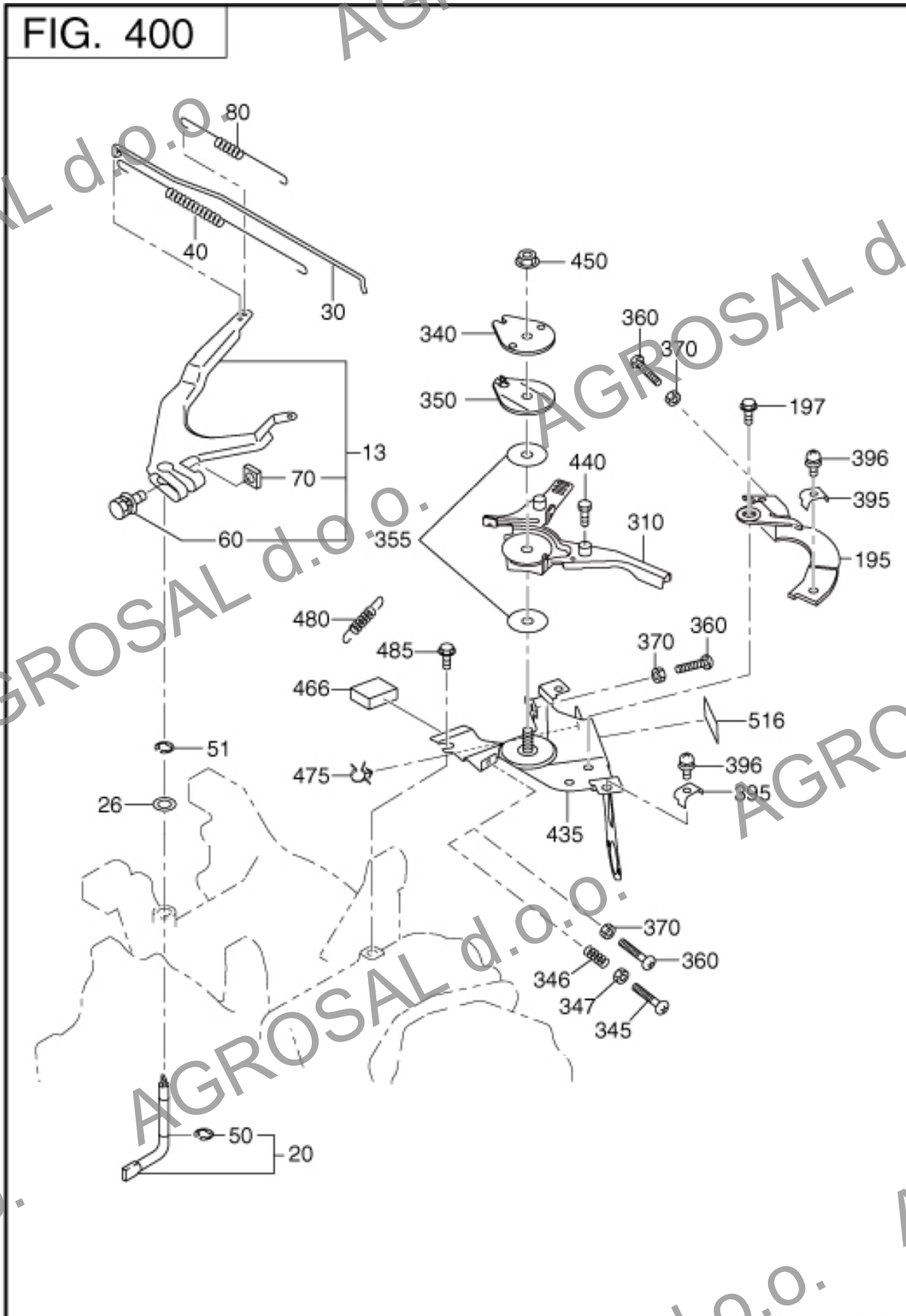
REF.	PART NUMBER	PART NAME	CODE NO.	QTY	REMARKS	INTERCHANGE
	20B-36102-00	ROCKER ARM(EX) AY	-7822	1		20B-36102-10
230	014-90500-20	ADJUST SCREW	-	1	M5X0. 5X23L	
231	014-90500-20	ADJUST SCREW	-	1	M5X0. 5X23L	
240	017-00500-30	NUT	-	1	M5X0. 5X4. 1H	
241	017-00500-30	NUT	-	1	M5X0. 5X4. 1H	
290	011-00600-10	FLANGE BOLT	8157-	1	M6X1. 0X14DX8L	
	011-00600-20	FLANGE BOLT	-8156	1	M6X1. 0X14DX12L	
310	20B-30101-J2	MUFFLER UN	7762-	1		
	20B-30101-H2	N_MUFFLER UN	-7761	1		
320	20B-34201-11	MUFFLER COVER CP	7762-	1		
	20B-34201-01	N_MUFFLER COVER CP	-7761	1		
340	20B-35201-13	GASKET(MUFFLER)	8961-	1	T=0. 2	
	20B-35201-03	GASKET(MUFFLER)	-8960	1	T=0. 2	20B-35201-13
350	002-38080-00	FLANGE NUT	8310-	2	M8X1. 25X17DX7. 5H	
	980-20082-80	FLANGE NUT	-8309	2	M8X1. 25X17DX7. 5H	002-38080-00
360	011-00600-10	FLANGE BOLT	7762-	5	M6X1. 0X14DX8L	
	011-00600-10	FLANGE BOLT	-7761	4	M6X1. 0X14DX8L	
365	011-00803-20	FLANGE BOLT	-	1	M8X1. 25X16DX12L	
338	20B-35903-13	GASKET 3	8482-	1	T=0. 5	
	20B-35903-03	GASKET 3	-8481	1		20B-35903-13
540	20B-32901-J1	INSULATOR CP	7762-	1		20B-32901-K1
	20B-32901-H1	HN_INSULATOR CP	-7761	1		
550	20B-35902-H3	GASKET 2	7762-	1	T=0. 5	
560	20B-35901-H3	GASKET 1	7762-	1	T=0. 5	
570	002-38060-00	FLANGE NUT	-	2	M6X1. 0X13DX6H	
580	001-04061-60	FLANGE BOLT	-	1	M6X1. 0X13DX16L	
850	X85-11001-80	RUBBER PIPE	-	1	10DX15DX130L	

3 INTAKE,EXHAUST



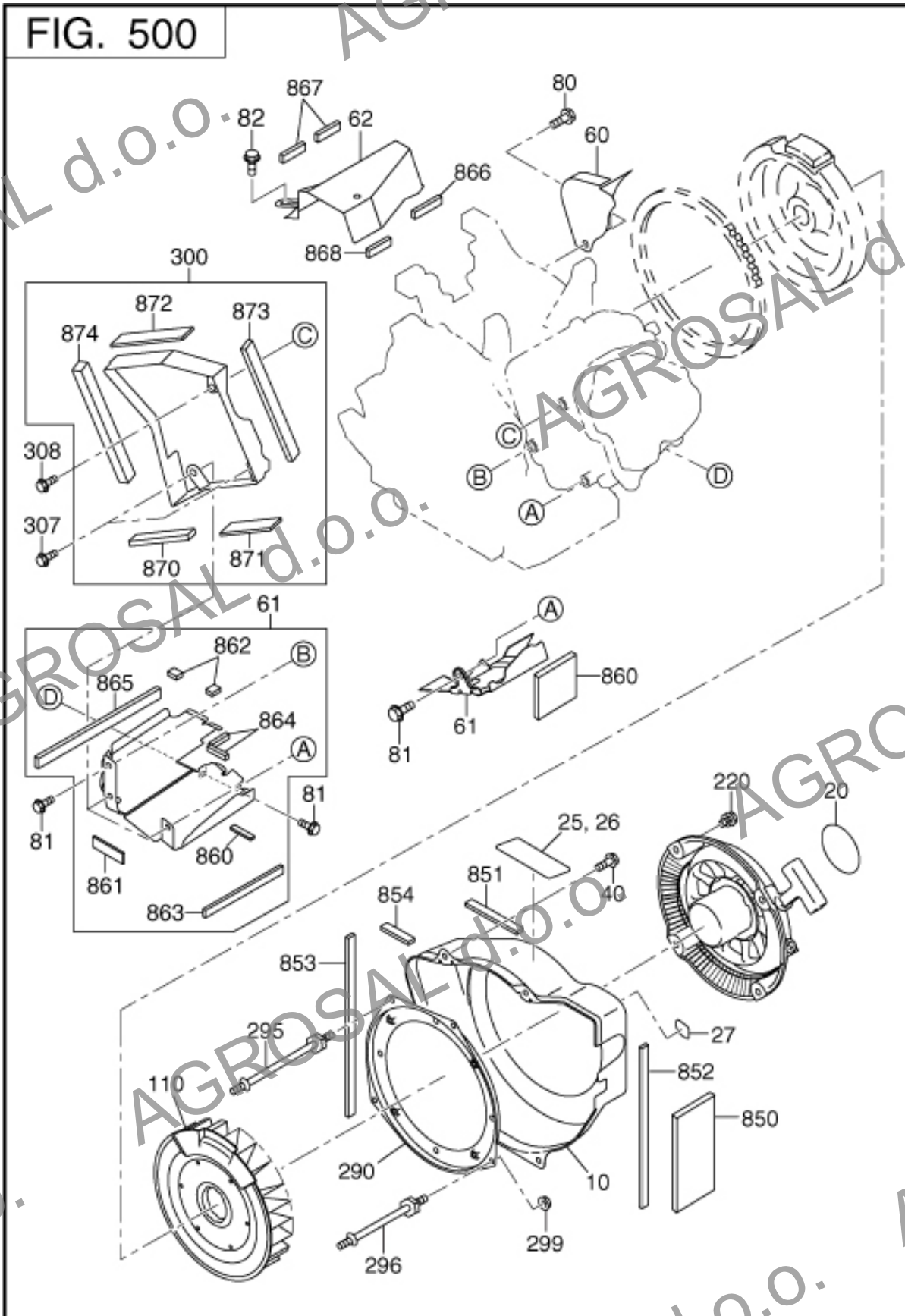
REF.	PART NUMBER	PART NAME	CODE NO.	QTY	REMARKS	INTERCHANGE
510	20B-32611-J0	AIR CLEANER AY	9040-	1	DUAL	
	20B-32611-H0	AIR CLEANER AY	-9039	1	DUAL	20B-32611-J0
- 6	20B-32660-H8	CHOKE LABEL	-	1		073-20044-30
-200	20B-32630-J8	BODY CP	9040-	1		
	20B-32630-H8	BODY CP	-9039	1		20B-32630-J8
-220	20B-32720-H8	PACKING	-	1		
-250	20B-32640-H8	COVER	-	1		
-275	20B-32650-H8	BOLT	-	1		
-340	20B-32850-H8	CAP	-	1		
-520	20B-32610-J7	ELEMENT AY	9040-	1		
	20B-32610-H7	ELEMENT AY	-9039	1		20B-32610-J7

4 GOVERNOR OPERATION



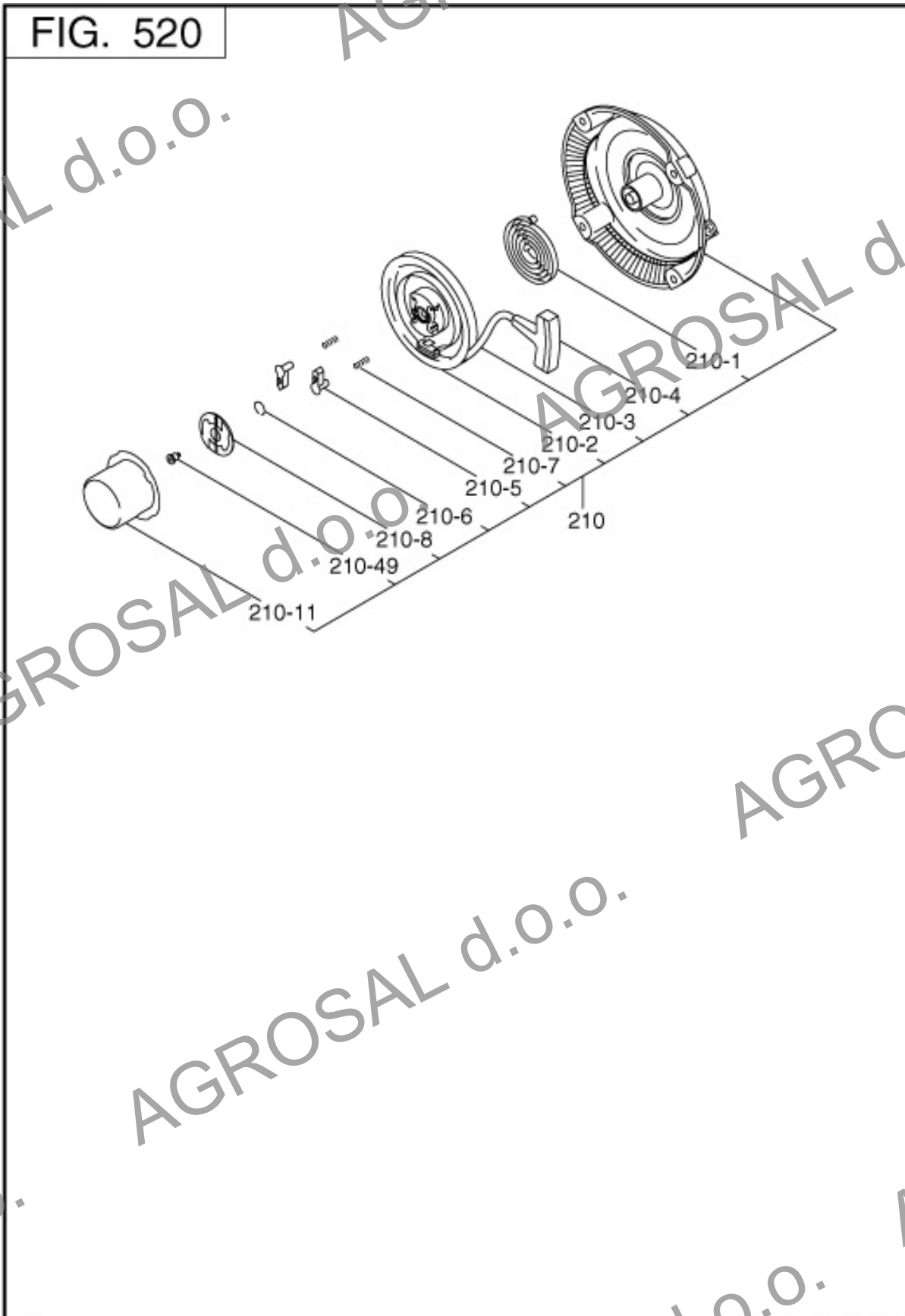
REF.	PART NUMBER	PART NAME	CODE NO.	QTY	REMARKS	INTERCHANGE
13	20B-42301-20	GOVERNOR LEVER AY	9042-	1		
	20B-42301-10	GOVERNOR LEVER AY	8492-9041	1		20B-42301-20
	20B-42301-00	GOVERNOR LEVER AY	-8491	1		20B-42301-10
20	20B-42201-01	GOVERNOR SHAFT CP	-	1		
26	003-11080-00	WASHER	-	1	8. 5DX18DX1. 6T	
30	20B-42701-23	GOVERNOR ROD	9042-	1		
	20B-42701-13	GOVERNOR ROD	8310-9041	1		
	20B-42701-01	GOVERNOR ROD CP	-8309	1		20B-42701-13
40	20B-42801-13	ROD SPRING	7762-	1		
	20B-42801-03	HN_ROD SPRING	-7761	1		20B-42801-13
50	003-13060-00	CLIP	-	1	6DX12DX0. 8T	
51	003-13060-00	CLIP	-	1	6DX12DX0. 8T	
60	001-14062-50	BOLT AND WASHER AY	-	1	M6X1. 0X25L W/W. SW	
70	018-60600-20	NUT	-	1	M6X1. 0X4. 9H SQUARE	
80	20B-42501-13	GOVERNOR SPRING	-	1		
310	20B-43301-03	SPEED CONTROL LEVER	-	1		
340	227-43501-13	STOP PLATE	-	1		
350	227-45002-03	SPRING WASHER	-	1	T=0. 4	
355	021-70600-30	FRICTION WASHER	-	2	6. 5DX33DX0. 6T FIBER	
360	004-31061-80	SCREW	-	1	M6X1. 0X18L	
370	002-27060-00	NUT	-	1	M6X1. 0X3. 6H	
435	20B-46001-21	SPEED CONTROL BKT CP	7945-	1		
	20B-46001-11	SPEED CONTROL BKT CP	7762-7944	1		20B-46001-21
	20B-46001-01	SPEED CONTROL BKT CP	-7761	1		20B-46001-11
450	002-35060-00	SELF LOCK NUT	-	1	M6X1. 0X6. 8H	
485	011-00600-20	FLANGE BOLT	-	1	M6X1. 0X14DX12L	
516	277-96107-03	LABEL(HI-LOW)	7762-	1		

5 COOLING,STARTING



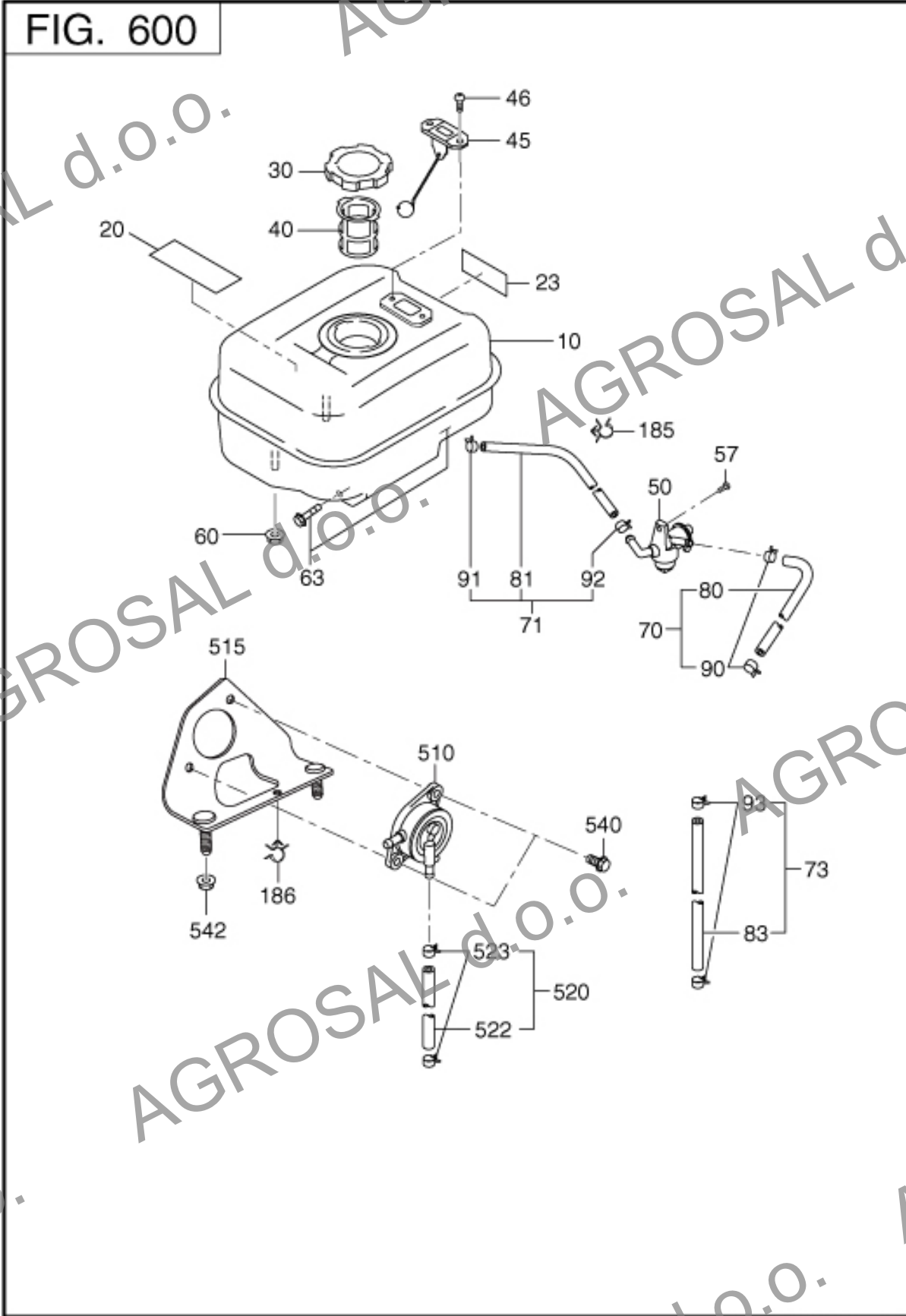
REF.	PART NUMBER	PART NAME	CODE NO.	QTY	REMARKS	INTERCHANGE
10	20B-51302-01	BLOWER HOUSING CP	8706-	1		20B-51302-11
	20B-51201-H1	BLOWER HOUSING CP	-8705	1		
20	073-20058-20	LABEL(TRADE MARK)	8553-	1	60D	
	073-20054-70	LABEL(TRADE MARK)	-8552	1	60D	
40	011-00600-20	FLANGE BOLT	8706-	4	M6X1. 0X14DX12L	
	001-04061-60	FLANGE BOLT	-8705	5	M6X1. 0X13DX16L	
60	279-52711-11	BAFFLE 1(CASE) CP	-	1		
61	20B-52704-13	BAFFLE 2(HEAD)	8706-	1		
	20B-52702-H1	BAFFLE 2(HEAD)CP	-8705	1		
80	001-65081-20	BOLT	-	1	M8X1. 25X12L	
81	011-00600-10	FLANGE BOLT	8706-	2	M6X1. 0X14DX8L	
	011-00600-20	FLANGE BOLT	-8705	3	M6X1. 0X14DX12L	
110	20B-54101-H3	COOLING BLOWER	-	1		
220	013-00602-81	BOLT AND WASHER AY	-	4	M6X1. 0X14L W/SW	
290	20B-55101-02	RECOIL BRACKET UN	-8705	1		
295	010-00804-40	BOLT	8188-8705	1	L=87	
	010-00804-40	BOLT	-8187	2	L=87	
296	010-00804-50	BOLT	-8705	2	L=65. 8 (SHORT)	
299	002-38060-00	FLANGE NUT	8188-8705	3	M6X1. 0X13DX6H	
	002-38060-00	FLANGE NUT	-8187	4	M6X1. 0X13DX6H	

5 COOLING STARTING



REF.	PART NUMBER	PART NAME	CODE NO.	QTY	REMARKS	INTERCHANGE
210	20B-50301-20	RECOIL STARTER AY	8492-	1		
	20B-50301-10	RECOIL STARTER AY	8255-8491	1		20B-50301-20
	20B-50301-00	RECOIL STARTER AY	-8254	1		20B-50301-10
- 1	277-50155-08	SPIRAL SPRING	-	1		
- 2	20B-50120-08	REEL	-	1		
- 3	20B-50110-08	STARTER ROPE	-	1		
- 4	261-50100-18	STARTER KNOB	8255-	1		
	261-50100-08	STARTER KNOB	-8254	1		261-50100-18
- 5	161-50125-08	RATCHET	-	2		
- 6	227-50131-08	FRICTION SPRING	-	1		
- 7	227-50135-08	RETURN SPRING	-	2		
- 8	161-50150-08	RATCHET GUIDE	-	1		
- 11	20B-50145-08	STARTER PULLEY	-	1		
- 49	20B-50101-08	SET SCREW	-	1		

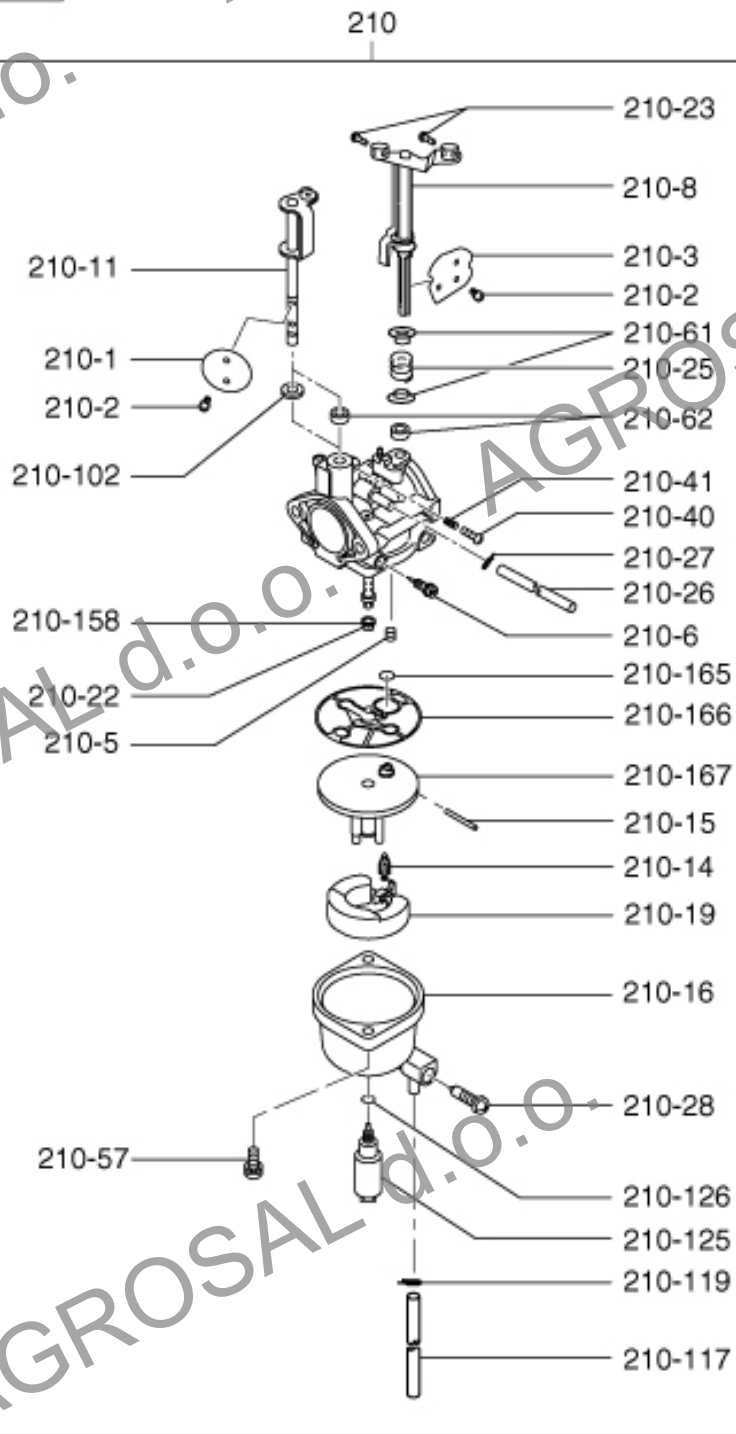
6 FUEL LUBRICANT



REF.	PART NUMBER	PART NAME	CODE NO.	QTY	REMARKS	INTERCHANGE
10	20B-60102-01	FUEL TANK CP	-	1		
20	073-20049-80	LABEL(CAUTION)	-	1	38X80 JAPAN	
23	20E-95102-03	LABEL(MODEL)	8553-	1		
	20E-95101-03	LABEL(MODEL)	-8552	1		20E-95102-03
30	043-04300-60	FUEL TANK CAP CP	7772-	1	43DX63. 8DX18H BLACK	
	043-04400-50	FUEL TANK CAP CP	-7771	1	43DX68DX14H BLACK	
40	X64-13600-10	FUEL FILTER	-	1		
50	X64-20122-01	FUEL STRAINER AY	8553-	1		
	X64-20122-00	FUEL STRAINER AY	-8552	1		X64-20122-01
57	011-00600-10	FLANGE BOLT	8157-	1	M6X1. 0X14DX8L	
	011-00600-20	FLANGE BOLT	-8156	1	M6X1. 0X14DX12L	
63	011-00802-50	FLANGE BOLT	-	2	M8X1. 25X16DX25L	
70	20B-62601-21	FUEL PIPE CP	8887-	1		
	20B-62601-11	FUEL PIPE CP	8619-8886	1		20B-62601-21
	20B-62601-01	FUEL PIPE CP	-8618	1		20B-62601-11
71	267-62604-11	FUEL PIPE CP	-	1	6. 35DX12. 7DX250L	
80	085-10622-01	RUBBER PIPE	8887-	1	6DX11DX85L	
	085-10622-00	RUBBER PIPE	8619-8886	1	6DX11DX85L EVP	
	085-10620-90	RUBBER PIPE	-8618	1	6DX11DX90L EVP	
81	X85-10614-91	RUBBER PIPE	-	1	6. 4DX12. 7DX250L	
90	056-11000-30	HOSE CLAMP	-	2	10DX8BX1T	
91	056-11200-40	HOSE CLAMP	-	1	12DX8BX0. 8T	
92	X56-11100-60	HOSE CLAMP	-	1	11. 5DX8BX0. 7T	
185	056-81200-20	CLAMP	8706-	1		
	056-81200-10	CLAMP	-8705	1		

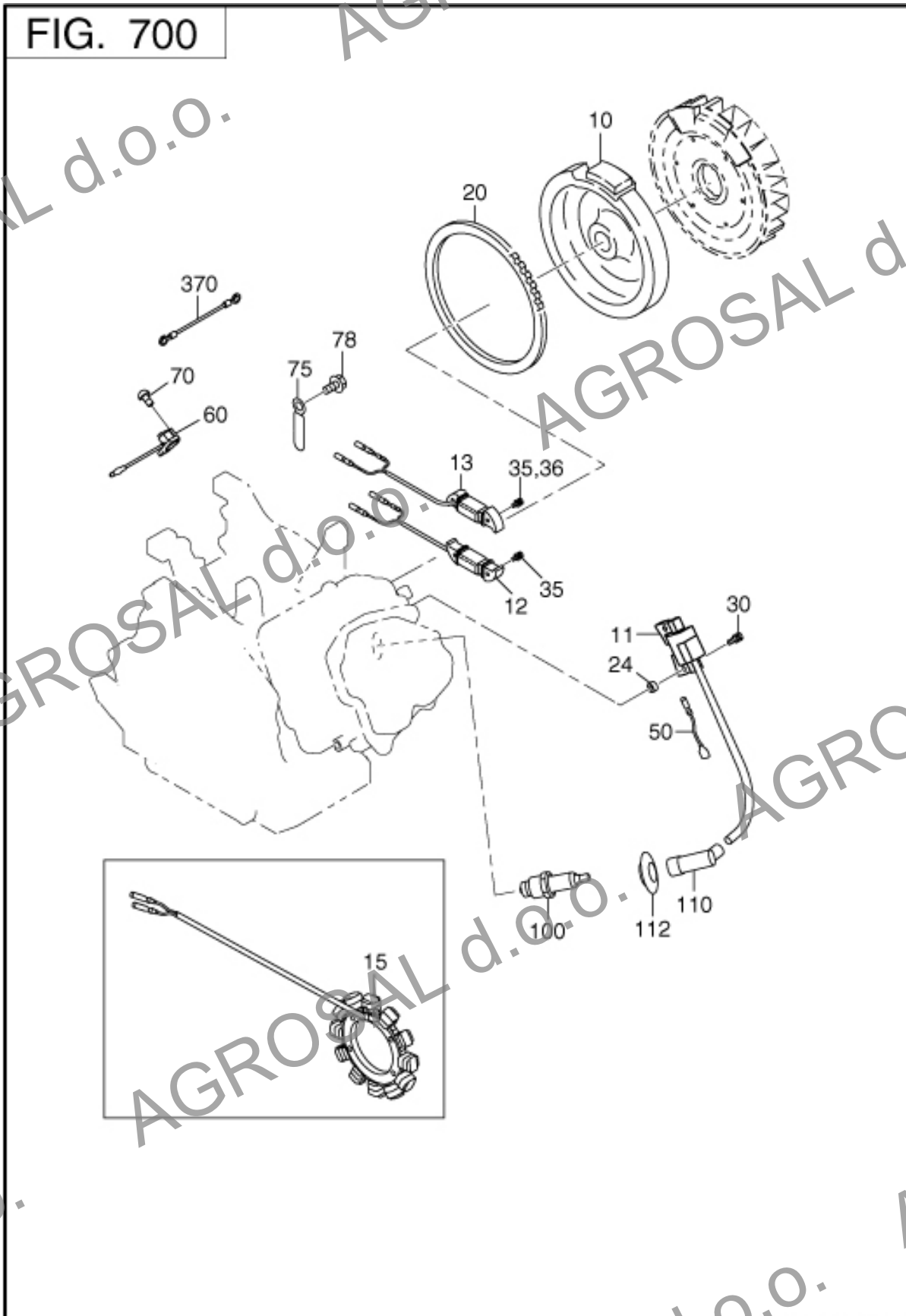
6 FUEL LUBRICANT

FIG. 640



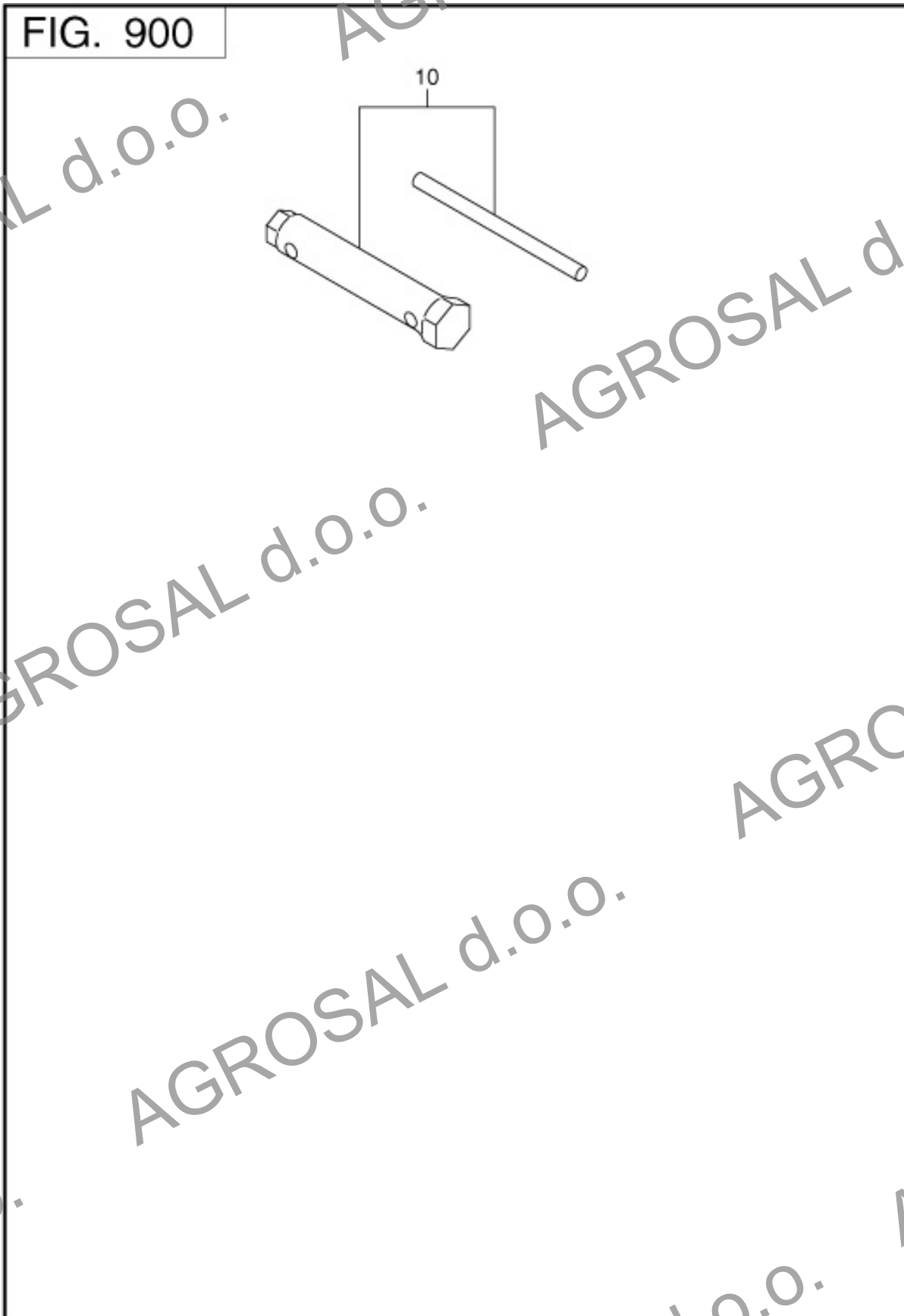
REF.	PART NUMBER	PART NAME	CODE NO.	QTY	REMARKS	INTERCHANGE
210	20E-62301-20	CARBURETOR AY	9042-	1		20E-62301-30
	20E-62301-10	CARBURETOR AY	8157-9041	1		20E-62301-20
	20E-62301-00	CARBURETOR AY	-8156	1		20E-62301-10
- 1	20B-62535-08	VALVE,THROTTLE	-	1		
- 2	261-62352-08	SCREW,VALVE SET	-	2		
- 3	20B-62526-08	VALVE,CHOKE	-	1		
- 5	20B-62421-08	JET,SLOW	-	1		
- 6	20B-62357-08	NEEDLE CP,IDLEADJUST	-	1		
- 8	20B-62527-18	SHAFT,CHOKE	8157-	1		
	20B-62527-08	SHAFT,CHOKE	-8156	1		20B-62527-18
- 11	20B-62531-08	SHAFT CP THROTTLE	9042-	1		
	20B-62530-08	SHAFT AY,THROTTLE	-9041	1		
- 14	20B-62500-08	VALVE AY FLOAT	-	1		
- 15	263-62515-08	PIN,FLOAT	-	1		
- 16	20B-62550-08	CHAMBER CP,FLOAT	-	1		
- 19	20B-62505-08	FLOAT AY	-	1		
- 22	20B-62436-08	JET,MAIN (#107)	-	1		
- 28	20B-62354-08	SCREW,DRAIN	-	1		
- 40	20B-62353-08	SCREW,THRO.ADJUST	-	1		
- 41	20B-62445-08	SPRING,THRO.ADJUST	-	1		
- 57	20B-62453-08	SCREW	-	2		
- 62	258-62554-08	FILTER(CHOKE SHAFT)	-	1		
-102	226-62580-08	FILTER,AIR	-	1		
-158	20B-62542-08	O RING	-	1		
-165	20B-62541-08	O RING	-	1		
-166	20B-62540-08	O RING SPACER	-	1		
-167	20B-62520-08	SPACER CARB	-	1		

7 ELECTRIC DEVICE



REF.	PART NUMBER	PART NAME	CODE NO.	QTY	REMARKS	INTERCHANGE
10	20B-79230-H1	FLYWHEEL CP	-	1		
11	20B-79430-H1	IGNITION COIL CP	-	1		
30	001-14063-00	BOLT AND WASHER AY	7976-	2	M6X1. 0X30L W/W, SW	
	001-14062-50	BOLT AND WASHER AY	-7975	2	M6X1. 0X25L W/W, SW	
50	20B-73101-01	WIRE 1 CP	-	1		
60	066-00004-91	SWITCH AY	8249-	1		
	066-00004-90	SWITCH AY	-8248	1		066-00004-91
70	015-00400-90	TAPPING SCREW	8706-	2	M4X12L	
	004-36041-20	SCREW AND WASHER AY	-8705	2	M4X0. 7X12L W/S	
75	214-79006-01	CLAMP CP	-	1	5DXM6X12BX0. 4T	
78	011-00600-10	FLANGE BOLT	-	1	M6X1. 0X14DX8L	
100	065-01401-50	SPARK PLUG	-	1	NGK BR6HS	
110	065-50003-11	SPARK PLUG CAP	-	1		
370	20B-73102-01	WIRE 2 CP	-8705	1		

9 ACCESSORIES LABEL



REF.	PART NUMBER	PART NAME	CODE NO.	QTY	REMARKS	INTERCHANGE
10	20B-90301-H0	ACCESSORY TOOL KIT	9105-	1		20B-90301-J0
	224-90303-00	ACCESSORY TOOL KIT	-9104	1		20B-90301-H0